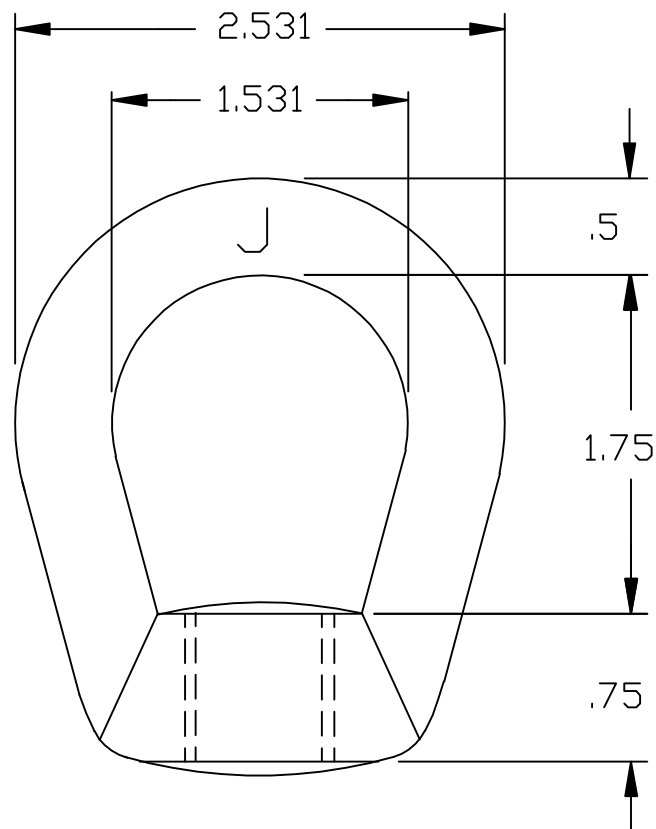
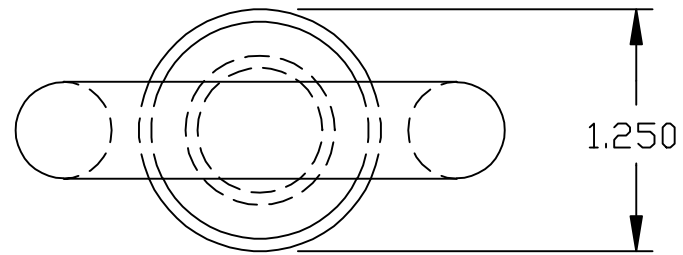
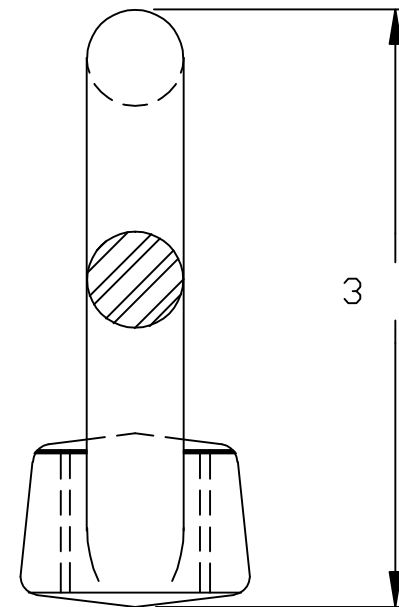


REVISIONS				
NO.	DATE	DESCRIPTION	BY	CKD



NOTES:

- 1) ALL DIMENSIONS ARE REFERENCE AND ARE IN INCHES
- 2) HOT DIP GALVANIZED (ASTM A-153)



CATALOG NO.	SIZE	TAPPED THREADS				NOMINAL DRILL SIZE □.D.	NOMINAL TAP SIZE □.D.
		PITCH DIAMETER		MINOR DIAMETER			
		MIN	MAX	MIN	MAX		
J1092	.625	.587	.594	.548	.567	.562	.646-11
J1093	.750	.706	.714	.663	.684	.671	.771-10

 MacLean Power Systems  
BIRMINGHAM, ALABAMA

□VALEYE NUT

ENG. REF.

This information is confidential and is the property of Maclean Power Systems. It may not be made public or reproduced except that the Customer may make copies for use solely in installation, maintenance, and operation of products supplied by Maclean Power Systems.

DATE: 1-7-94	SCALE:	NO. 1044-C	R / 0	SH. OF
DWN. BY: JB	CKD. BY:	APR. BY:		