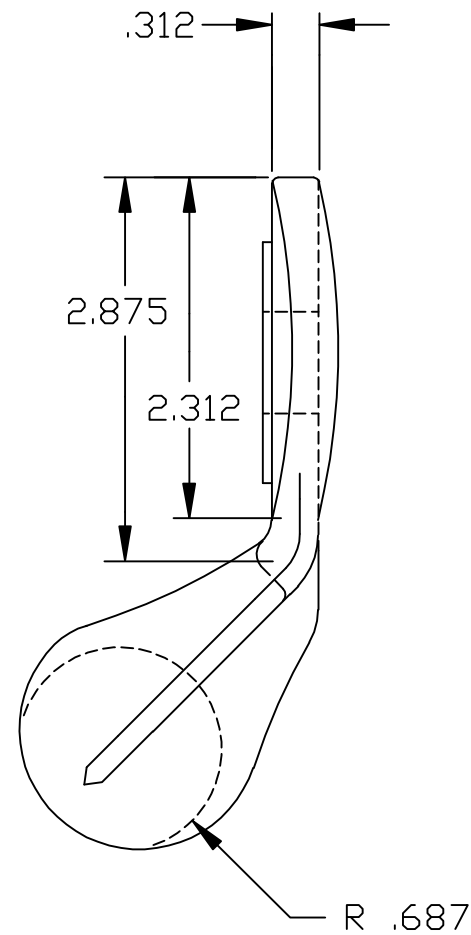
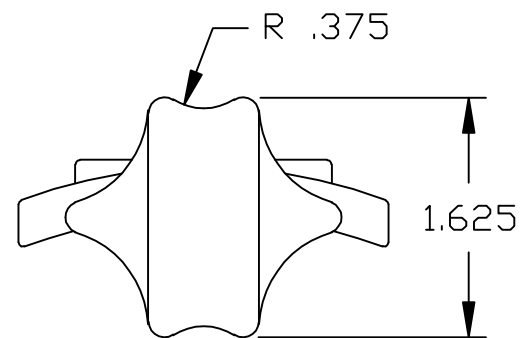
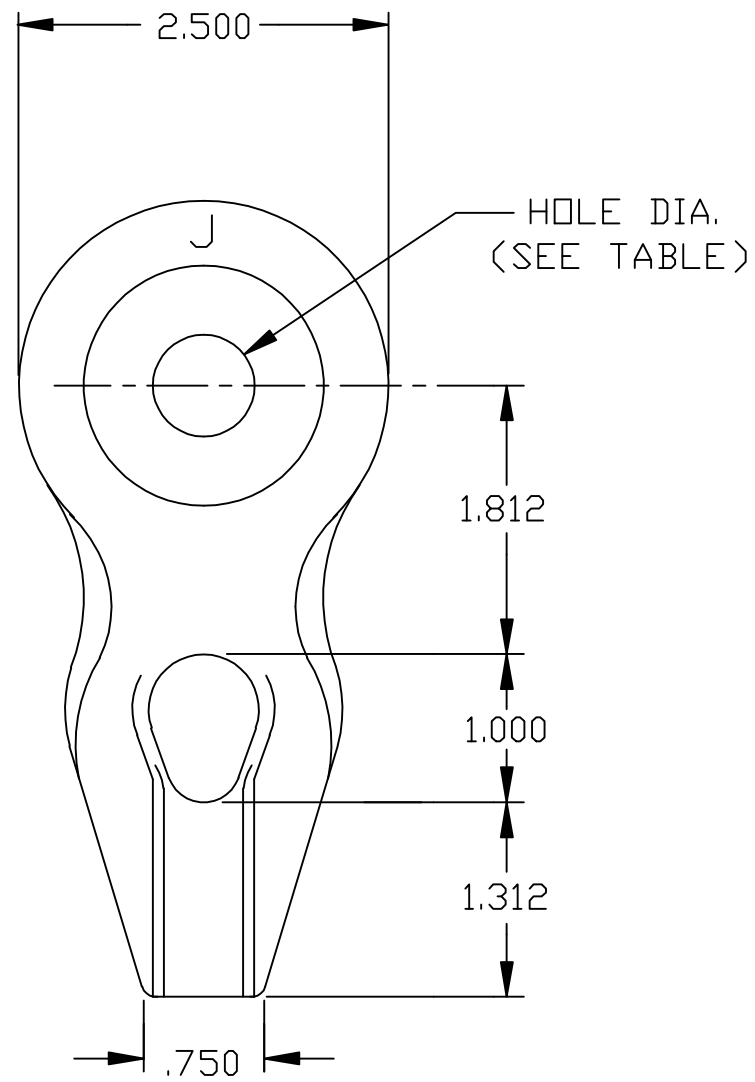


REVISIONS				
NO.	DATE	DESCRIPTION	BY	CKD




NOTES:

- 1) ALL DIMENSIONS ARE IN INCHES, EXCEPT AS NOTED
- 2) HOT DIP GALVANIZED (ASTM A-153)

CATALOG NO.	HOLE DIA
J6500	.687
J6501	.812

ENG. REF.

This information is confidential and is the property of Maclean Power Systems. It may not be made public or reproduced except that the Customer may make copies for use solely in installation, maintenance, and operation of products supplied by Maclean Power Systems.

 MACLEAN POWER SYSTEMS <i>A Maclean-fogg Company</i>	
ANGLE THIMBLEYE DEADEND GUY ATTACHMENT	
DATE: 1-22-93	SCALE:
DWN. BY: JB	CKD. BY:
APR. BY:	NO. 1178-C
R 0	SH. 1 OF 1