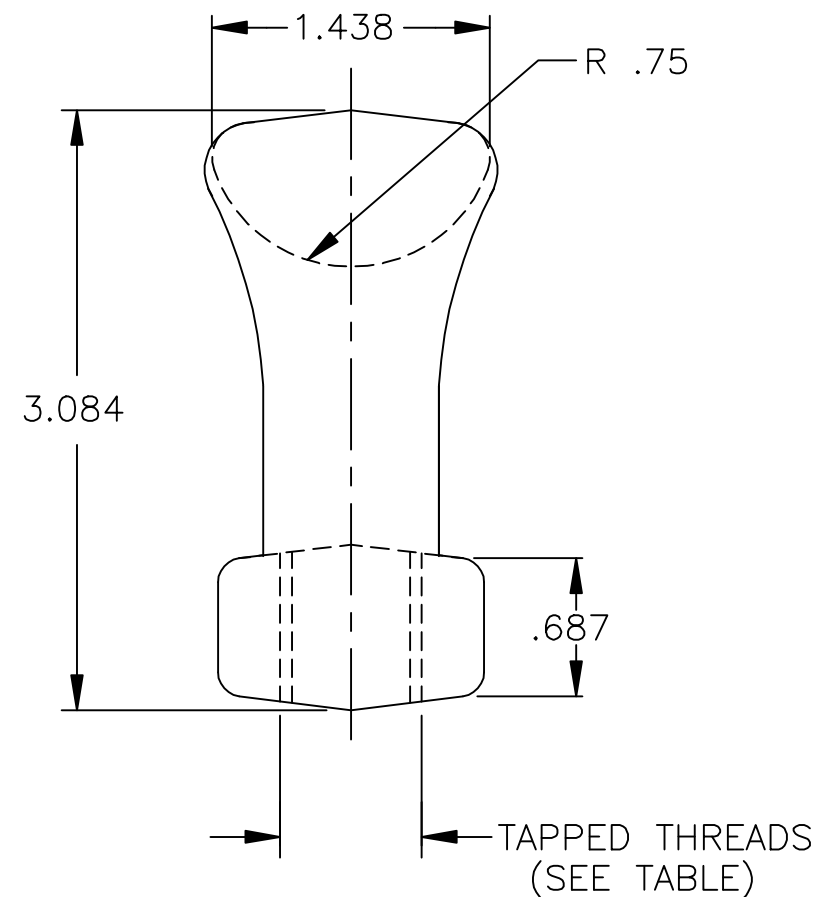
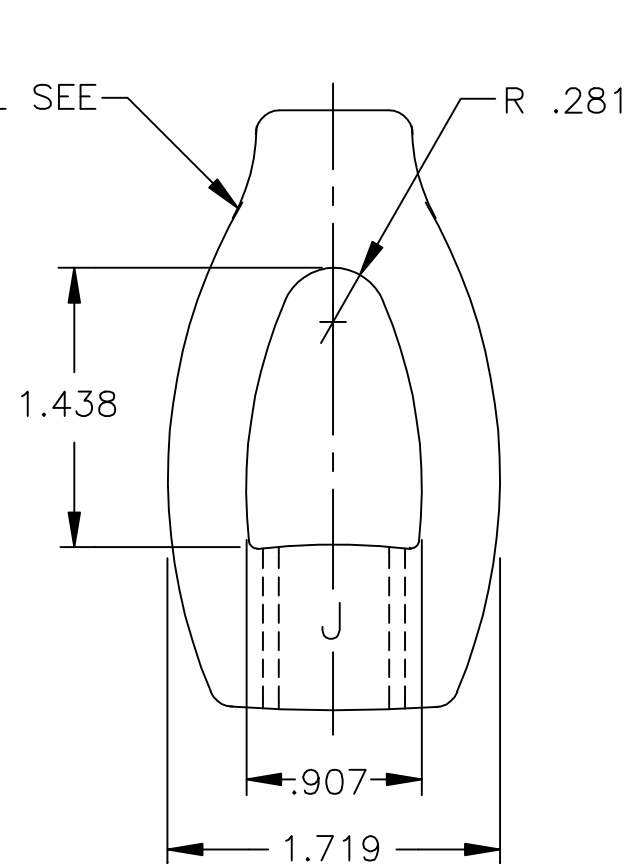


REVISIONS				
NO.	DATE	DESCRIPTION	BY	CKD

FOR EYENUT DETAIL SEE
DWG NO. 23672



CATALOG NO.	SIZE	TAPPED THREADS				NOMINAL DRILL SIZE O D	NOMINAL TAP SIZE O D
		PITCH DIAMETER		MINOR DIAMETER			
		MIN	MAX	MIN	MAX		
J6510	.625	.587	.594	.548	.567	.562	.646-11
J6511	.750	.706	.714	.663	.684	.671	.771-10

NOTES:

- 1) ALL DIMENSIONS ARE REFERENCE AND ARE IN INCHES, EXCEPT AS NOTED
- 2) HOT DIP GALVANIZED (ASTM A-153) PRIOR TO TAPPING



MACLEAN POWER SYSTEMS
A Maclean-fogg Company

THIMBLEYE NUT

ENG. REF.

This information is confidential and is the property of Maclean Power Systems. It may not be made public or reproduced except that the Customer may make copies for use solely in installation, maintenance, and operation of products supplied by Maclean Power Systems.

DATE: 8-28-91	SCALE:	NO. 1179-C	R / 0	SH. 1 OF 1
DWN. BY: JB	CKD. BY:	APR. BY:		