

COMPONENT SPECIFICATION

USE OR REPRODUCTION OF THIS DRAWING FOR THE PURPOSE OF MANUFACTURING THIS ARTICLE OR ANY ARTICLES SHOWN FOR ANY PURPOSE IS STRICTLY PROHIBITED WITHOUT WRITTEN PERMISSION FROM SENIOR INDUSTRIES, INC.

SPECIFICATIONS

ELECTRICAL:

CONTACT RATING: 300 mA @ 125 VAC
 CONTACT RESISTANCE: 20 MILLIOHMS MAX.
 INSULATION RESISTANCE: 100 MEGOHMS MIN. @ 500 VDC
 DIELECTRIC STRENGTH: 500 V RMS

MECHANICAL:

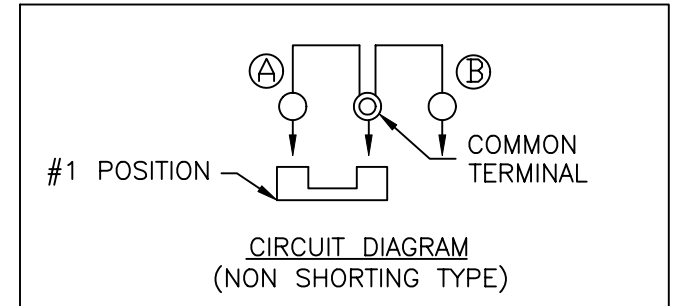
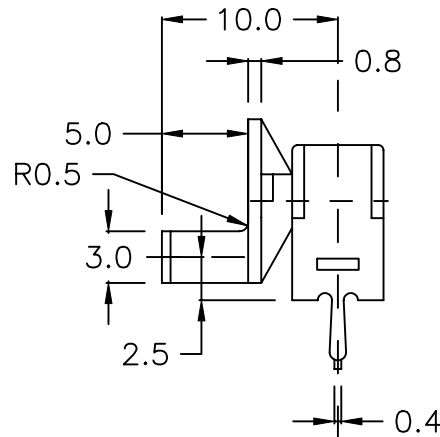
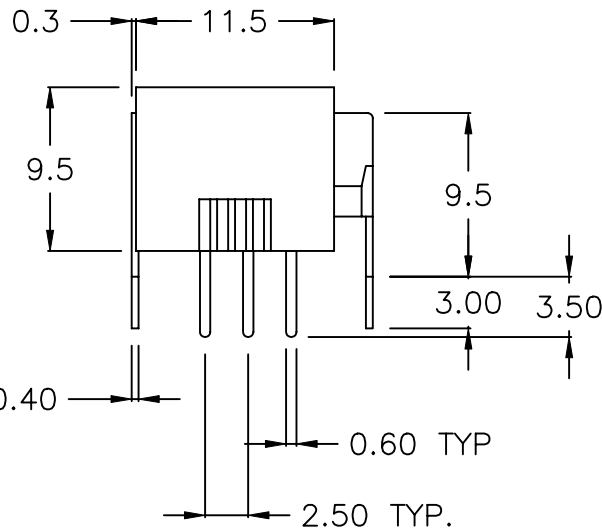
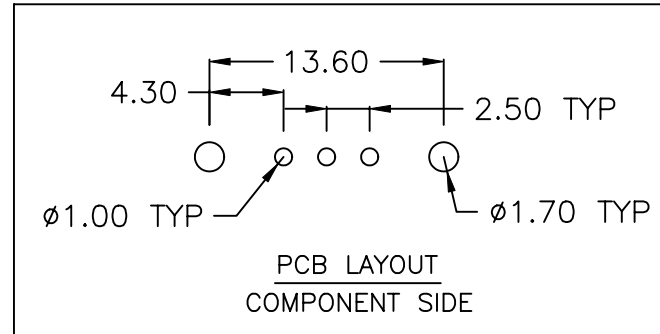
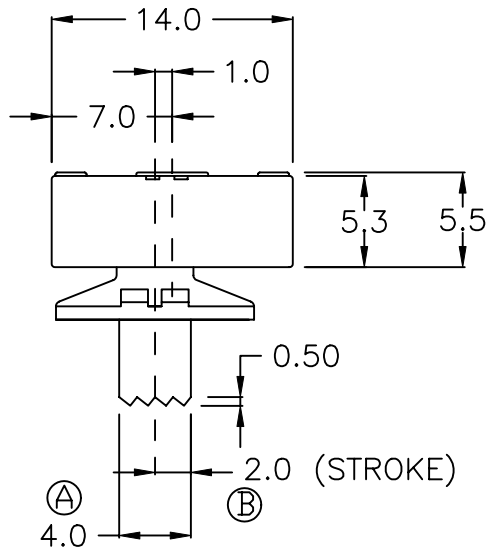
LIFE: 15,000 CYCLES
 ACTUATION FORCE: 400 ±150 GRAMS

MATERIAL:

ACTUATOR: PBT, UL94V-0
 HOUSING: STEEL, TIN PLATED
 CONTACTS: PHOSPHOR BRONZE
 TERMINALS: BRASS
 CONTACT/TERMINALS PLATING: GOLD OR SILVER OVER NICKEL

ENVIRONMENTAL:

OPERATING TEMPERATURE: -40°C TO +85°C



NOTE: 'X' IN PART NUMBER DENOTES PLATING:
 1 - SILVER PLATING
 3 - GOLD PLATING

TELECOM GRADE



SENIOR INDUSTRIES, INC.

DESIGNED:			SYM.	DATE:	DESCRIPTION OF REVISIONS:	DRAWN:	APPD:	TOLERANCE:	PART NO:	12SS2RX
DRAWN:	GAT	03/07/05	▲	01.27.95	Added Non-Shorting to dwg	JF	JF			
CHECKED:	GAT	11/09/05	▲	03.06.95	Added Note: switch shall meet specs of SR1103	JF	JF	TO 1 DECIMAL PLACE: ±.2	TITLE:	SLIDE SWITCH
APPROVED:	JF	11/10/05	▲	02.25.00	Transfer from orig factory dwg to CAD	RB	JF			
			▲	09.21.05	Spec added, Notes, plating corrected, New Index	GAT	JF	TO 2 DECIMAL PLACES: ±.10	SHEET:	1 OF 1
			▲	11.09.05	Part not selectively pl: Au/Ag ov Ni in cont/term	GAT	JF			
3RD ANGLE		UNIT:	mm	SCALE:	2:1	REV.	F	AS ANGLES:	±1/2°	