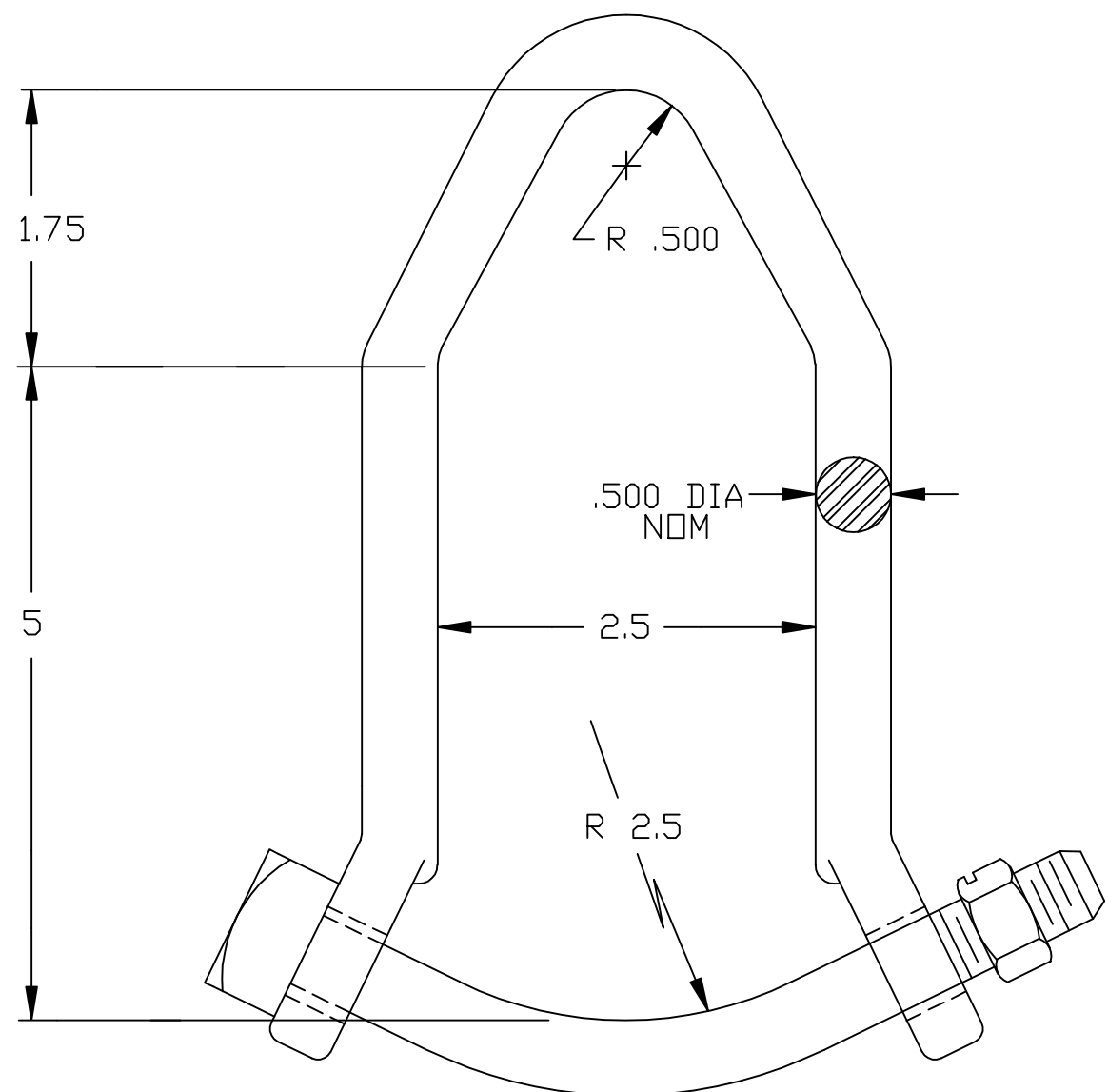
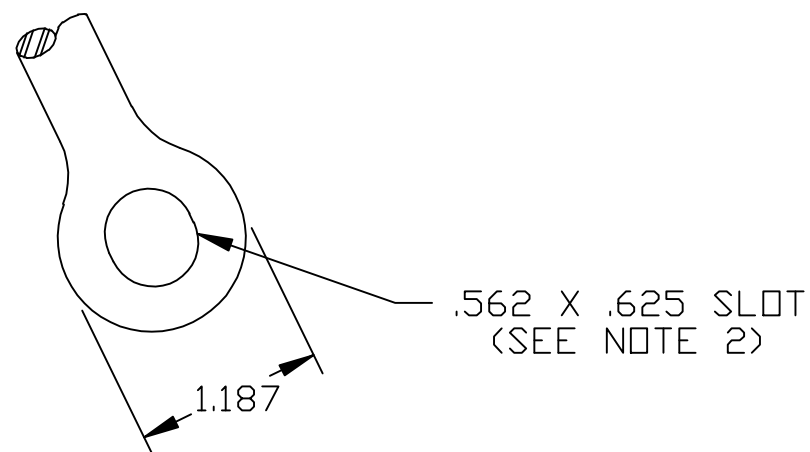


REVISIONS				
NO.	DATE	DESCRIPTION	BY	CKD



ITEM	PART NO.	DWG NO.	QTY	DESCRIPTION
1	SEE TABLE	24537	1	.500 DIA STRAIN INSULATOR CLEVIS
2	SEE TABLE	24526	1	.500 DIA BENT MACHINE BOLT
3			1	.500 ANCO HEX LOCKNUT



NOTES:

- 1) ALL DIMENSIONS ARE REFERENCE AND ARE IN INCHES
- 2) ITEMS ② AND ③ OMITTED FROM SIDE VIEW FOR CLARITY
- 3) ALL ITEMS HOT DIP GALVANIZED (ASTM A-153)

MacLean Power Systems
BIRMINGHAM, ALABAMA

HEAVY TYPE STRAIN INSULATOR
CLEVIS ASSEMBLY
CAT. NO. J732

ENG. REF.

This information is confidential and is the property of Maclean Power Systems. It may not be made public or reproduced except that the Customer may make copies for use solely in installation, maintenance, and operation of products supplied by Maclean Power Systems.

DATE: 9-16-93	SCALE:	NO. 1338	R/O	SH. OF
DWN. BY: JB	CKD. BY:	APR. BY:		