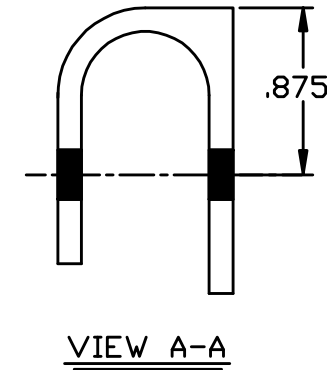
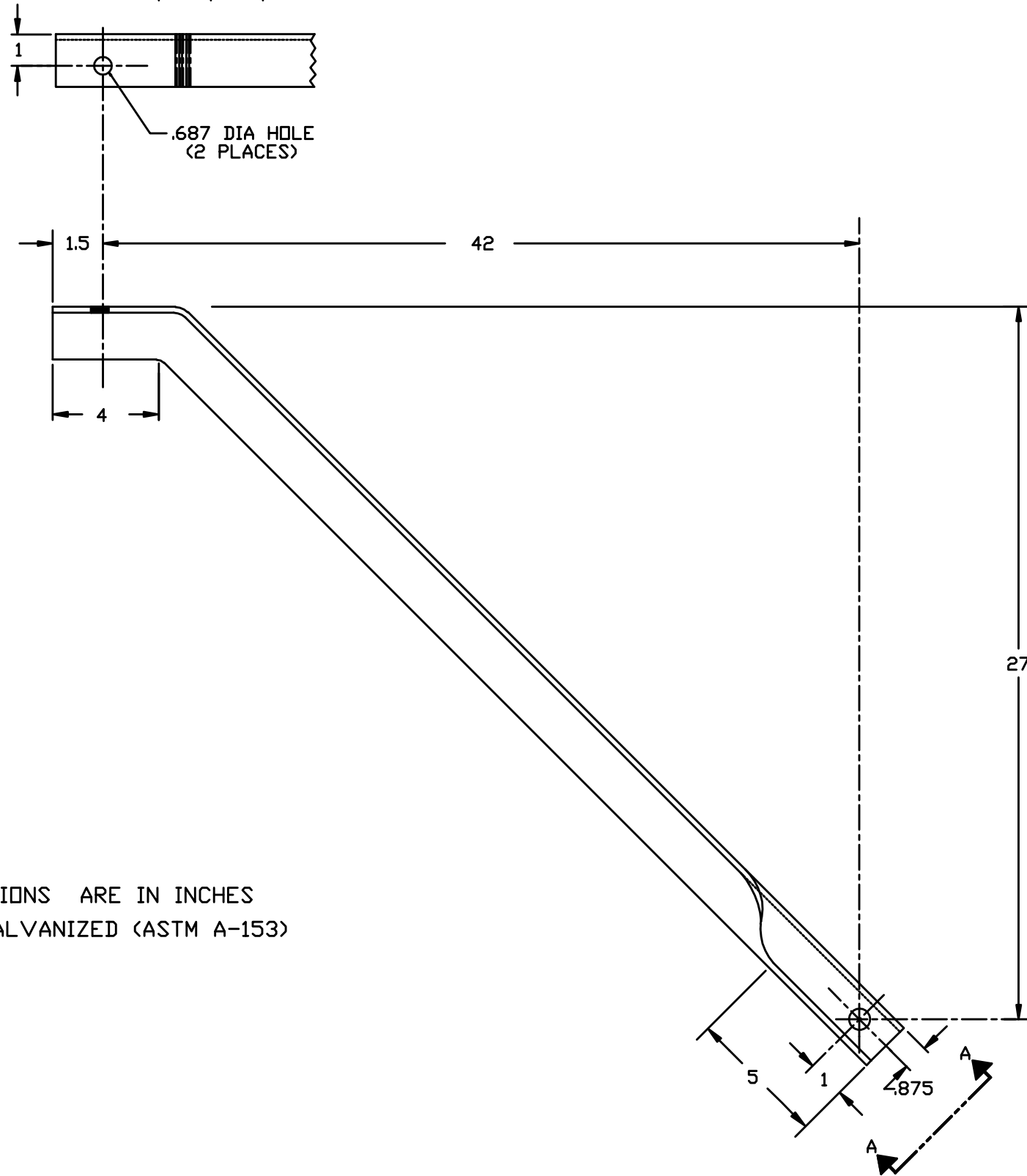


REVISIONS


NO.	DATE	DESCRIPTION	BY	CKD



NOTES:

- 1) ALL DIMENSIONS ARE IN INCHES
- 2) HOT DIP GALVANIZED (ASTM A-153)

All information contained in this disclosure whether patentable or otherwise comprises proprietary information of MacLean Dixie, LLC. and its unauthorized use or publication without the express written consent of MacLean Dixie, LLC. is strictly prohibited.

 MACLEAN DIXIE, LLC. A MACLEAN POWER SYSTEMS COMPANY 1500 RED HOLLOW RD. BIRMINGHAM, ALABAMA 35215				
STEEL ANGLE ARM BRACE CAT NO. J1442				
DATE: 4-6-05	SCALE: FULL	NO. 1469-1-C	R/0	SH. 1
DWN. BY: JB	CKD. BY:	APR. BY:		OF 1

ENG. REF.