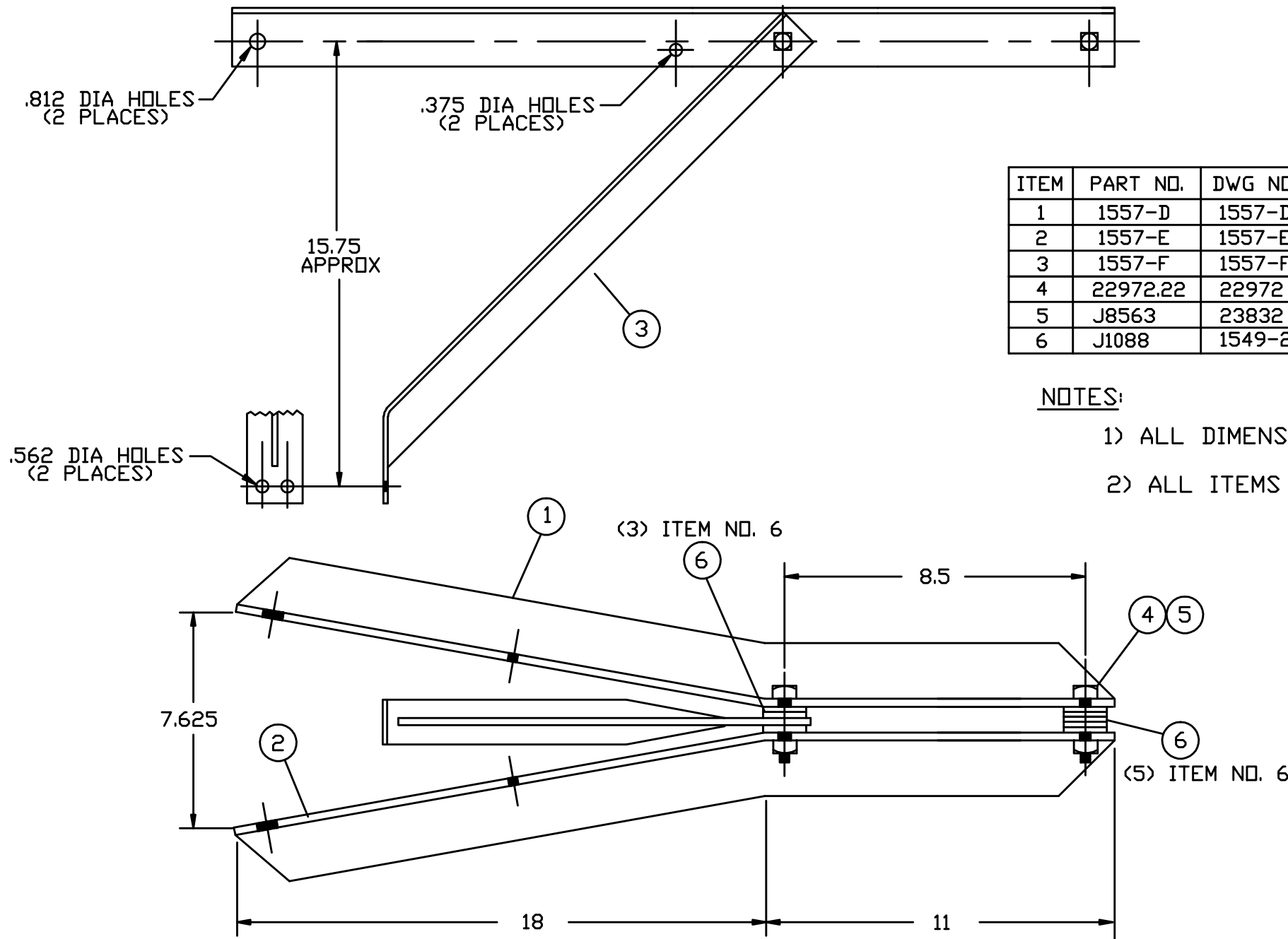


REVISIONS

NO.	DATE	DESCRIPTION	BY	CKD




ITEM	PART NO.	DWG NO.	QTY	DESCRIPTION
1	1557-D	1557-D	1	3 X 2.5 X .312 ANGLE LEG
2	1557-E	1557-E	1	3 X 2.5 X .312 ANGLE LEG (R.S.)
3	1557-F	1557-F	1	2.5 X 2.5 X .25 CENTER TEE BRACE
4	22972.22	22972	2	.625 X 2.25 MACHINE BOLT
5	J8563	23832	2	.625 SQUARE NUT
6	J1088	1549-2	8	1.75 DIAMETER ROUND WASHER

NOTES:

- 1) ALL DIMENSIONS ARE REFERENCE AND ARE IN INCHES
- 2) ALL ITEMS HOT DIP GALVANIZED (ASTM A-153)

ENG. REF.

All information contained in this disclosure whether patentable or otherwise comprises proprietary information of MacLean Dixie, LLC. and its unauthorized use or publication without the express written consent of MacLean Dixie, LLC. is strictly prohibited.



MACLEAN DIXIE, LLC.
 A MACLEAN POWER SYSTEMS COMPANY
 1500 RED HOLLOW RD.
 BIRMINGHAM, ALABAMA 35215

CABLE EXTENSION ARM ASSEMBLY
 CAT NO. J7920

DATE: 7-11-05	SCALE: FULL	NO. 1557-1C	R/0	SH. 1
DWN. BY: JB	CKD. BY:	APR. BY:		OF 1