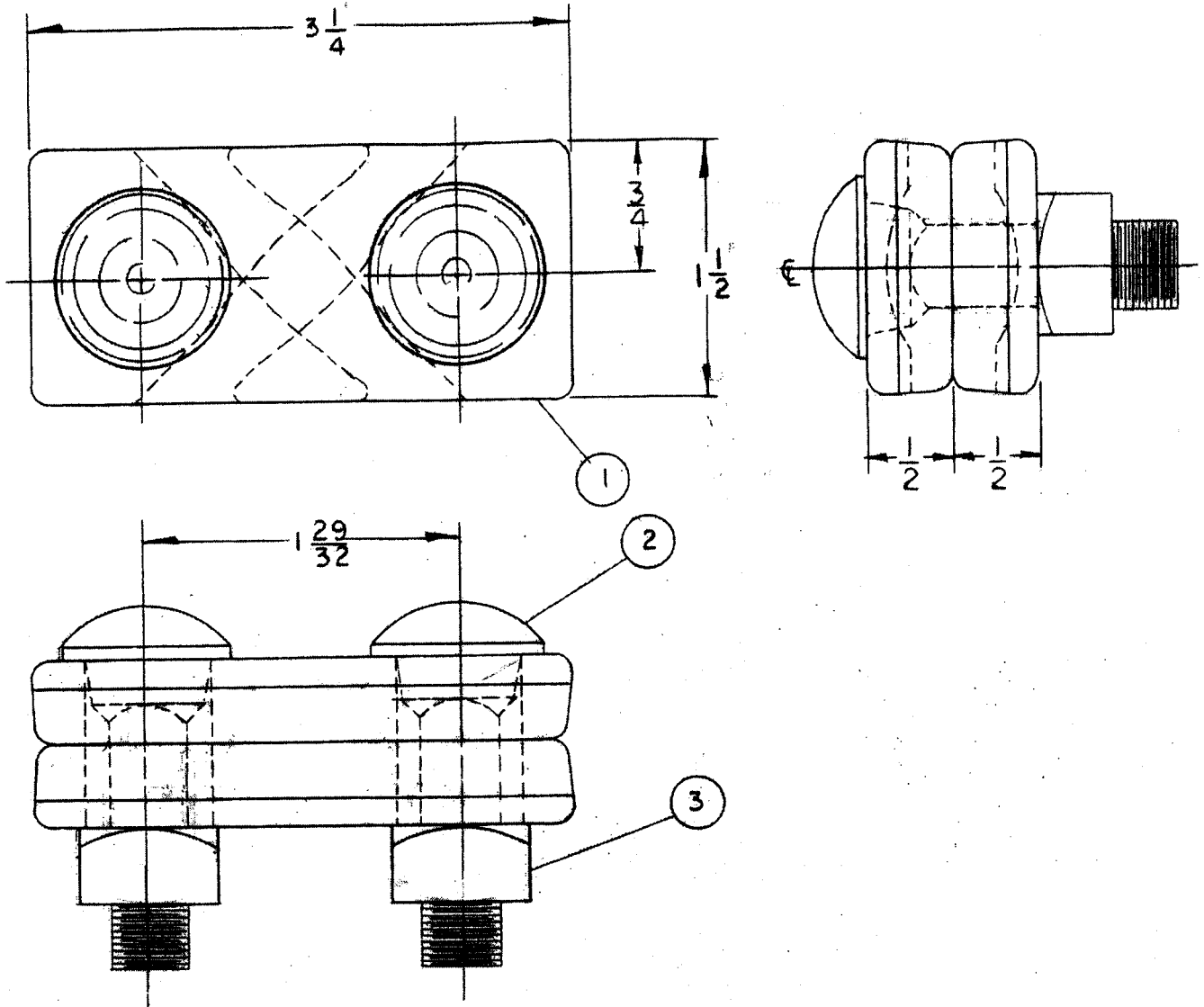


This information is confidential and is the property of Maclean Power Systems. It may not be made public or reproduced except that the Customer may make copies for use solely in installation, maintenance, and operation of products supplied by Maclean Power Systems.



ITEM	PART NO.	DWG. NO.	QUAN.	DESCRIPTION
1	24051	24051	2	STEEL CLAMP SECTION
2	24108.2	24108	2	1/2 DIA X 1 7/8" GUY CLAMP BOLT
3	J8562	23830	2	1/2" SQUARE NUT

NOTES:

1. ALL ITEMS HOT DIP GALVANIZED (ASTM A-153)
2. ALL DIMENSIONS ARE REFERENCE AND ARE IN INCHES

NO.	DATE	DESCRIPTION	BY	CHKD

REVISIONS

Maclean Power Systems
BIRMINGHAM, ALABAMA

2 BOLT CROSSOVER
CLAMP ASSEMBLY
CAT. NO. J7930

DATE: 2-23-71	SCALE:	NO. 1566	R/O	SH. OF
OWN: JB	CHKD: GB	APR:		
BY:	BY:	BY:		