

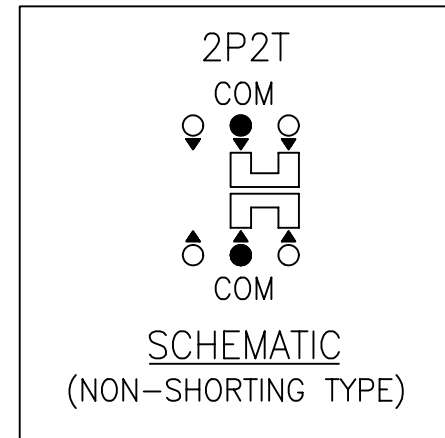
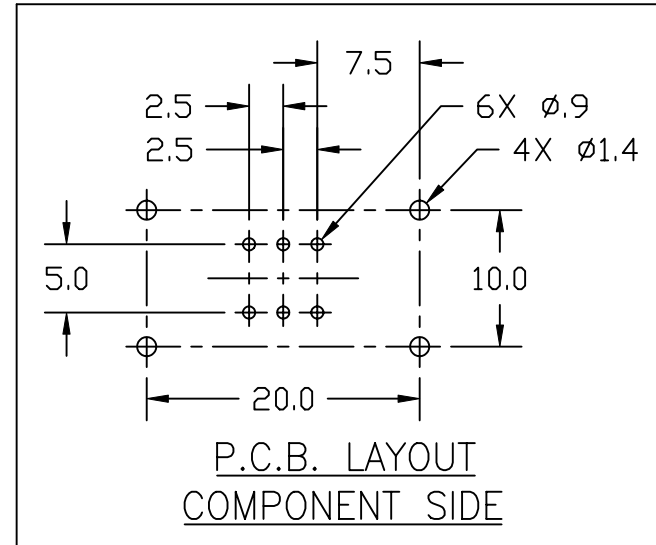
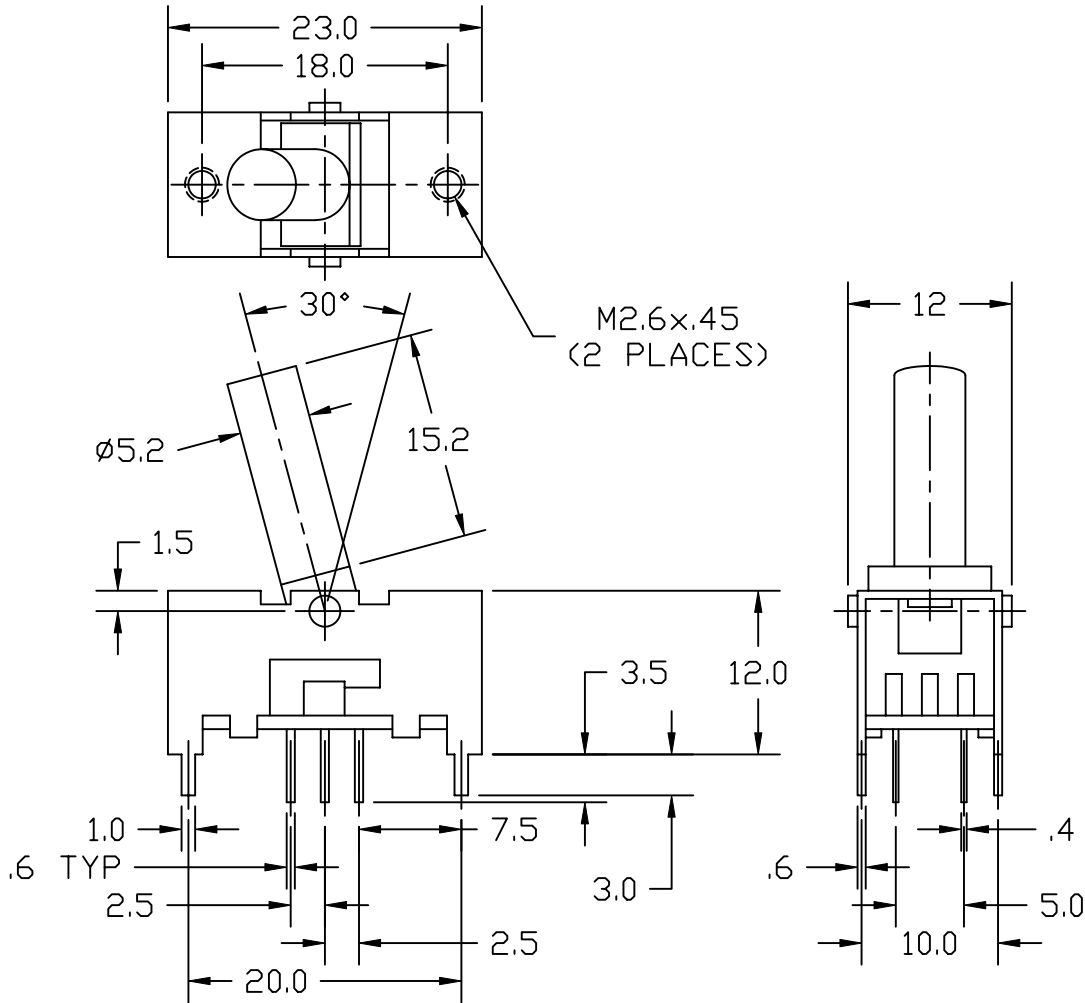
COMPONENT SPECIFICATION

USE OR REPRODUCTION OF THIS DRAWING FOR THE PURPOSE OF MANUFACTURING THIS ARTICLE OR ANY ARTICLES SHOWN FOR ANY PURPOSE IS STRICTLY PROHIBITED WITHOUT WRITTEN PERMISSION FROM SENIOR INDUSTRIES, INC.

A

B

C



TELECOM GRADE



**SENIOR INDUSTRIES, INC.**

DESIGNED:			SYM.	DATE:	DESCRIPTION OF REVISIONS:	DRAWN:	APPD:
DRAWN:	GAM	01/11/99	▲	02.19.99	NEW	JAC	JF
CHECKED:	GAT	11/08/05	▲	11.08.05	New Index, Spec Updates, Notes Corrected	GAT	JF
APPROVED:	JF	11/11/05	▲	.	.		
			▲	.	.		

TOLERANCE:
TO 1 DECIMAL PLACE: ±.3
TO 2 DECIMAL PLACES: ±.13
AS ANGLES: ±3°

PART NO:	22TSA1UX
TITLE:	TOGGLE/SLIDE SWITCH
SHEET:	1 OF 2

3RD ANGLE		UNIT:	mm	SCALE:	2:1	REV.	B
-----------	--	-------	----	--------	-----	------	---

1

2

3

4

5

COMPONENT SPECIFICATION

USE OR REPRODUCTION OF THIS DRAWING FOR THE PURPOSE OF MANUFACTURING THIS ARTICLE OR ANY ARTICLES SHOWN FOR ANY PURPOSE IS STRICTLY PROHIBITED WITHOUT WRITTEN PERMISSION FROM SENIOR INDUSTRIES, INC.

SPECIFICATIONS

ELECTRICAL:

CONTACT RATING: 0.3A AT 125VAC; 100mA AT 12VDC  
CONTACT RESISTANCE: 20 MILLIOHMS MAX.  
INSULATION RESISTANCE: 100 MEGOHMS MIN. @ 500 VDC  
DIELECTRIC STRENGTH: 500 V RMS

MECHANICAL:

OPERATING LIFE: 10,000 CYCLES  
ACTUATION FORCE: 200±100gf

MATERIAL:

ACTUATOR: ANODIZED ALUMINUM, BLACK  
HOUSING: STEEL, TIN PLATED  
CONTACTS: PHOSPHOR BRONZE  
TERMINALS: BRASS  
PLATING: CONTACT AREA – GOLD OR SILVER OVER NICKEL  
TERMINATION AREA – TIN OVER NICKEL.

ENVIRONMENTAL:

OPERATING TEMPERATURE: -40°C TO +85°C

X SUFFIX IN PART NUMBER DENOTES PLATING OPTIONS:

- 1 – SILVER PLATING
- 3 – GOLD PLATING



**SENIOR INDUSTRIES, INC.**

DESIGNED:			SYM.	DATE:	DESCRIPTION OF REVISIONS:	DRAWN:	APPD:	TOLERANCE:	PART NO:	22TSA1UX
DRAWN:	GAM	01/11/99	▲	02.19.99	NEW	JAC	JF			
CHECKED:	GAT	11/08/05	▲	11.08.05	New Index, Spec Updates, Notes Corrected	GAT	JF	TO 1 DECIMAL PLACE: ±	TITLE:	TOGGLE/SLIDE SWITCH
APPROVED:	JF	11/11/05	▲	.	.			TO 2 DECIMAL PLACES: ±		
3RD ANGLE		UNIT:	mm	SCALE:		REV.	B	AS ANGLES: ± °	SHEET:	2 OF 2