

1

2

3

4

5

COMPONENT SPECIFICATION

USE OR REPRODUCTION OF THIS DRAWING FOR THE PURPOSE OF MANUFACTURING THIS ARTICLE OR ANY ARTICLES SHOWN FOR ANY PURPOSE IS STRICTLY PROHIBITED WITHOUT WRITTEN PERMISSION FROM SENIOR INDUSTRIES, INC.

SPECIFICATIONS

ELECTRICAL:

CONTACT RATING: 300 mA @ 125 VAC
CONTACT RESISTANCE: 20 MILLIOHMS MAX.
INSULATION RESISTANCE: 100 MEGOHMS MIN. @ 500 VDC
DIELECTRIC STRENGTH: 500 V RMS

MECHANICAL:

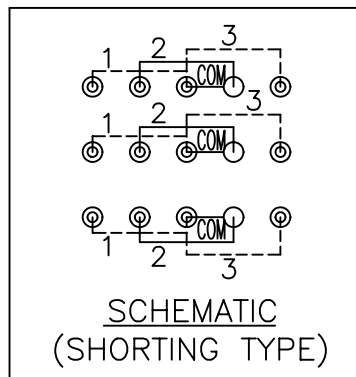
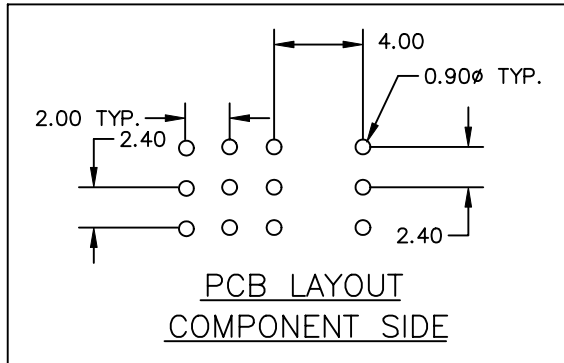
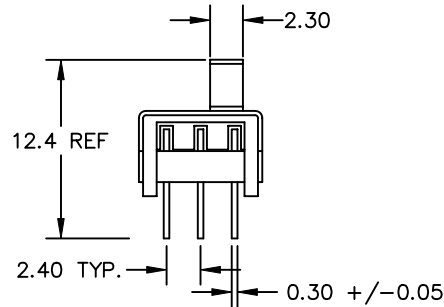
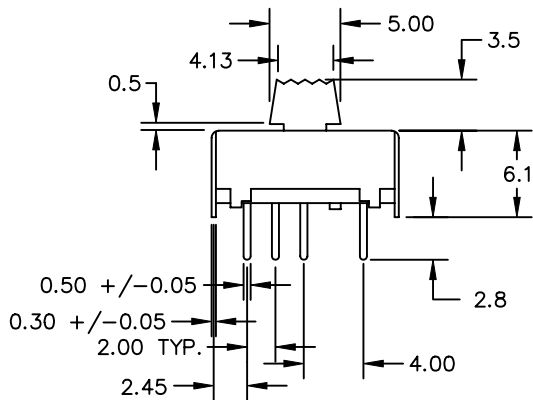
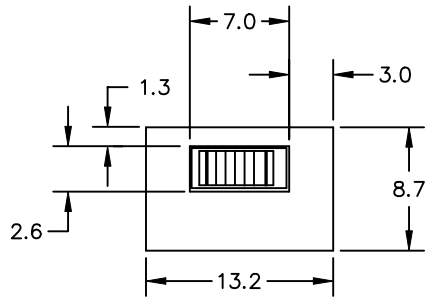
LIFE: 15,000 CYCLES
ACTUATION FORCE: 400 ±150 GRAMS

MATERIAL:

ACTUATOR: PBT, UL94V-0
HOUSING: STEEL, TIN PLATED
CONTACTS: PHOSPHOR BRONZE
TERMINALS: BRASS
PLATING: CONTACT AREA - GOLD OR SILVER OVER NICKEL
TERMINATION AREA - TIN OVER NICKEL

ENVIRONMENTAL:

OPERATING TEMPERATURE: -40°C TO +85°C



NOTE: 'X' IN PART NUMBER DENOTES PLATING:
1 - SILVER PLATING
3 - GOLD PLATING



SENIOR INDUSTRIES, INC.

TELECOM GRADE

DESIGNED:							
DRAWN:	TSF	11/28/98	SYMBOL	DATE	DESCRIPTION OF REVISIONS:	DRAWN:	APPD:
CHECKED:	GAT	11/11/05	▲	08.21.99	Transfer original drawing into CAD format	RB	JF
APPROVED:	JF	11/14/05	▲	08.30.05	New Index, Spec Updates, Notes Corrected	KO	JF
			▲				
			▲				

TOLERANCE:	PART NO:	33LP1UX
TO 1 DECIMAL PLACE: ±.2	TITLE:	SLIDE SWITCH
TO 2 DECIMAL PLACES: ±.10	SHEET:	1 OF 1

3RD ANGLE		UNIT:	mm	SCALE:	2:1	REV.	D
-----------	--	-------	----	--------	-----	------	---

AS ANGLES:	±1/2°
------------	-------