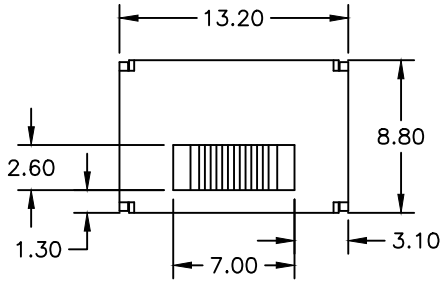
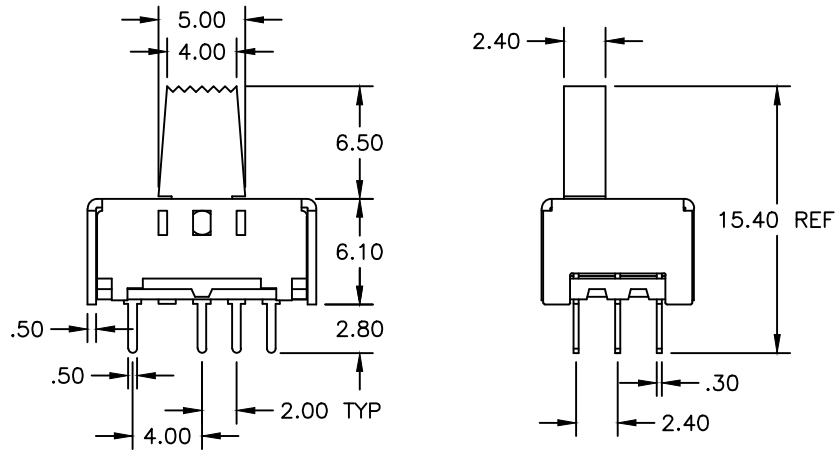


1	2	3	4	5
COMPONENT SPECIFICATION		USE OR REPRODUCTION OF THIS DRAWING FOR THE PURPOSE OF MANUFACTURING THIS ARTICLE OR ANY ARTICLES SHOWN FOR ANY PURPOSE IS STRICTLY PROHIBITED WITHOUT WRITTEN PERMISSION FROM MACLEAN SENIOR INDUSTRIES, LLC		

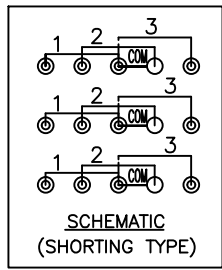
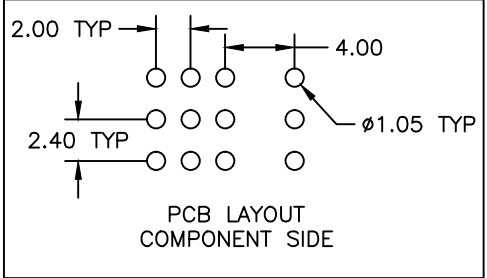
A



B



C



SPECIFICATIONS

ELECTRICAL:

CONTACT RATING: 300 mA @ 125 VAC
 CONTACT RESISTANCE: 20 MILLIOHMS MAX.
 INSULATION RESISTANCE: 100 MEGOHMS MIN. @ 500 VDC
 DIELECTRIC STRENGTH: 500 V RMS

LIFE/MECHANICAL:

ACTUATION FORCE: 400 ±150 GRAMS
 TERMINAL RETENTION: 13 N PUSH FORCE MIN.
 15,000 CYCLES

MATERIAL:

ACTUATOR: PBT, UL94V-0
 HOUSING: STEEL, TIN PLATED
 CONTACTS: PHOSPHOR BRONZE
 TERMINALS: BRASS
 BASE PLATE: NYLON 66, UL94V-0, BLACK
 PLATING: CONTACT AREA - GOLD OR SILVER OVER NICKEL
 TERMINATION AREA - TIN OVER NICKEL.

ENVIRONMENTAL:

OPERATING TEMPERATURE: -40°C TO +85°C

NOTE: 'X' IN PART NUMBER DENOTES PLATING:
 1 - SILVER PLATING
 3 - GOLD PLATING

TELECOM GRADE



DESIGNED:			SYM.	DATE:	DESCRIPTION OF REVISIONS:	DRAWN:	APPD:	TOLERANCE:	PART NO:	33LP3UX
DRAWN:	HV	06/01/98	▲	06.25.98	NEW	JAC	JF	TO 1 DECIMAL PLACE: ±0.3 TO 2 DECIMAL PLACES: ±.12	TITLE:	SLIDE SWITCH
CHECKED:	GAT	11/11/05	▲	08.30.05	New index, Spec updates, notes corrected	KO	JF			
APPROVED:	JF	11/14/05	▲	01.27.14	Added base plate mtrl, updated dims	MAW	JF	AS ANGLES: ±1/2*	SHEET:	1 OF 1
			▲	05.08.15	Added pin retention force specification	MAW	JF			
			▲	07.16.15	Revised design for improved pin staking	MAW	JF			
3RD ANGLE		UNIT:	mm	SCALE:	2:1	REV.	E			