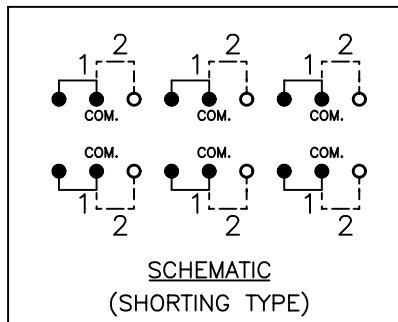
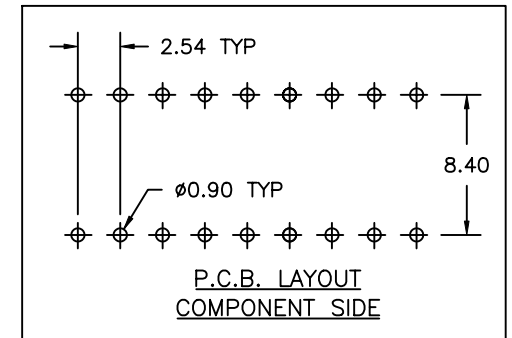
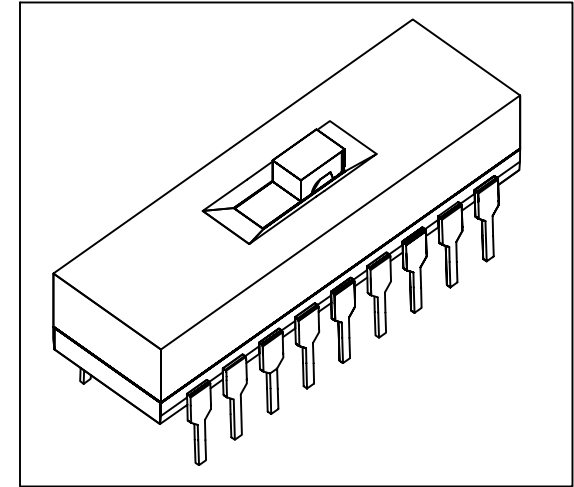
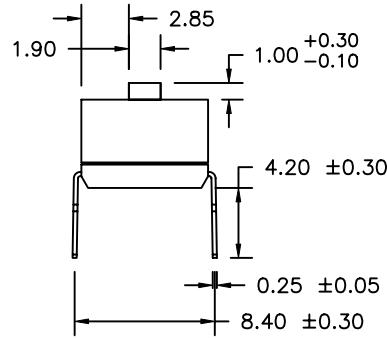
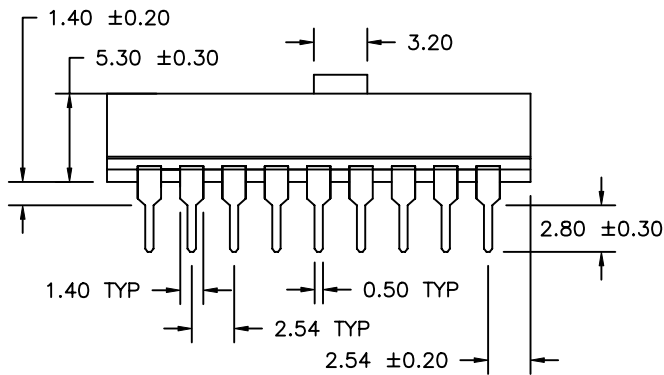
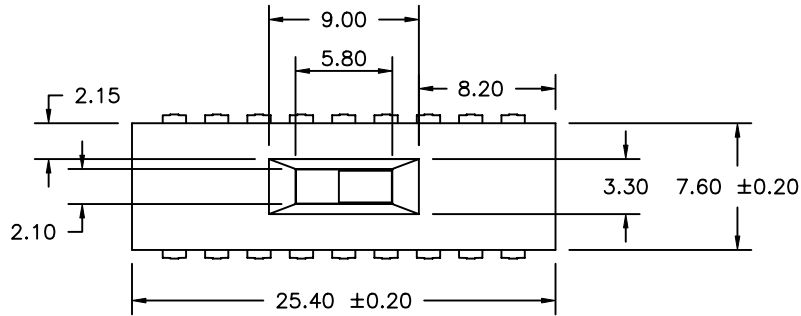


COMPONENT SPECIFICATION

USE OR REPRODUCTION OF THIS DRAWING FOR THE PURPOSE OF MANUFACTURING THIS ARTICLE OR ANY ARTICLES SHOWN FOR ANY PURPOSE IS STRICTLY PROHIBITED WITHOUT WRITTEN PERMISSION FROM SENIOR INDUSTRIES, INC.



NOTES:

'X' IN PART NUMBER DENOTES PLATING:
 1 - SILVER PLATING
 3 - GOLD PLATING

TELECOM GRADE



DESIGNED:			SYM.	DATE:	DESCRIPTION OF REVISIONS:	DRAWN:	APPD:	TOLERANCE:	PART NO:	762SAS2UX	
DRAWN:	HV	01/18/95	▲	01.18.95	NEW	JF	JF				TO 1 DECIMAL PLACE: ±
CHECKED:	GAT	12/02/05	▲	12.31.01	Removed 'sealed' from Title.	RB	TF	TO 2 DECIMAL PLACES: ±.10	SCALE	1 OF 2	
APPROVED:	JF	12/02/05	▲	12.02.05	New indicator, Note corrected, Spec added	GAT	JF				AS ANGLES: ±1/2°
3RD ANGLE		UNIT:	mm	SCALE:	3:1	REV.	C				

1

2

3

4

5

COMPONENT
SPECIFICATIONUSE OR REPRODUCTION OF THIS DRAWING FOR THE PURPOSE OF MANUFACTURING THIS
ARTICLE OR ANY ARTICLES SHOWN FOR ANY PURPOSE IS STRICTLY PROHIBITED WITHOUT
WRITTEN PERMISSION FROM SENIOR INDUSTRIES, INC.SPECIFICATIONSELECTRICAL:

CONTACT RATING: 300 mA @ 125 VAC
 CONTACT RESISTANCE: 20 MILLIOHMS MAX.
 INSULATION RESISTANCE: 100 MEGOHMS MIN. @ 500 VDC
 DIELECTRIC STRENGTH: 500 V RMS

MECHANICAL:

LIFE: 15,000 CYCLES
 ACTUATION FORCE: 400 ±150 GRAMS

MATERIAL:

HOUSING: PBT G30, UL94V-0
 ACTUATOR: VALOX 357, UL94V-0
 MOVING CONTACT: PHOSPHOR BRONZE
 CONTACT CARRIER: MARANYL NYLON 6/6 G8.1, UL94V-0
 FIXED CONTACT/TERMINAL: BRASS
 PLATING: CONTACT AREA - GOLD OR SILVER OVER NICKEL
 TERMINATION AREA - TIN OVER NICKEL.

ENVIRONMENTAL:

OPERATING TEMPERATURE: -40°C TO +85°C


**SENIOR
INDUSTRIES, INC.**

DESIGNED:			SYM.	DATE:	DESCRIPTION OF REVISIONS:	DRAWN:	APPD:	TOLERANCE:	PART NO:	62SAS2UX
DRAWN:	HV	01/18/95	▲	01.18.95	NEW	JF	JF			
CHECKED:	GAT	12/02/05	▲	12.31.01	Removed 'sealed' from Title.	RB	TF	TO 1 DECIMAL PLACE: ±	TITLE:	SLIDE SWITCH
APPROVED:	JF	12/02/05	▲	12.02.05	New indicator, Note corrected, Spec added	GAT	JF	TO 2 DECIMAL PLACES: ±		
3RD ANGLE		UNIT:	mm	SCALE:		REV.	C	AS ANGLES: ±	SCALE	2 OF 2