

1

2

3

4

5

COMPONENT SPECIFICATION

USE OR REPRODUCTION OF THIS DRAWING FOR THE PURPOSE OF MANUFACTURING THIS ARTICLE OR ANY ARTICLES SHOWN FOR ANY PURPOSE IS STRICTLY PROHIBITED WITHOUT WRITTEN PERMISSION FROM SENIOR INDUSTRIES, INC.

SPECIFICATIONS

ELECTRICAL

CONTACT RATING: 1.5A AT 125 VAC
CONTACT RESISTANCE: 30 MILLIOHMS MAX.
INSULATION RESISTANCE: 500 MEGOHMS MIN. AT 500 VDC
DIELECTRIC STRENGTH: 1000 VRMS FOR 1 MINUTE

MECHANICAL

LIFE: 750 CYCLES MIN.

ENVIRONMENTAL

OPERATING TEMPERATURE: 0°C TO +70°C
STORAGE TEMPERATURE: -40°C TO +85°C

MATERIAL

HOUSING: GLASS FILLED POLYESTER, UL94V-0
TERMINALS: PHOSPHOR BRONZE, 0.35t
PLATING: CONTACT AREA - SELECTIVE GOLD PLATING OVER NICKEL OVER TIN
TERMINATION AREA -100 µIN. TIN OVER NICKEL

REGULATORY:

UL RECOGNIZED COMPONENT. UL FILE NO. E147880.

PART NUMBER BUILDER:

MODEL KEYWAY CONTACTS PLATING COLOR
9601 [KEYWAY] [CONTACTS] [PLATING] [COLOR]
BLANK "K" (WITH KEY)
0 = 4 CONTACTS
1 = 2 CONTACTS
1. 15 µIN. Au
2. 30 µIN. Au
3. 50 µIN. Au
4. 6 µIN. Au
5. 3 µIN. Au
1. BLUE
2. RED
3. BLACK (STD)
4. BROWN
5. GREEN
6. WHITE
7. GRAY
8. ORANGE
9. YELLOW
10. VIOLET
11. IVORY/NEUTRAL

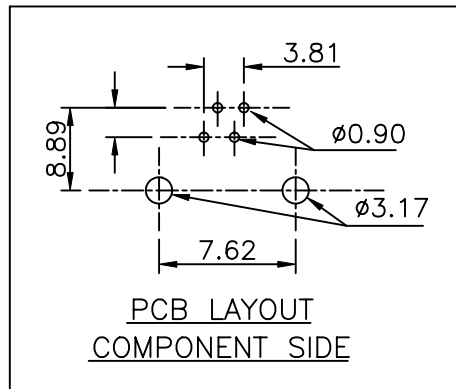
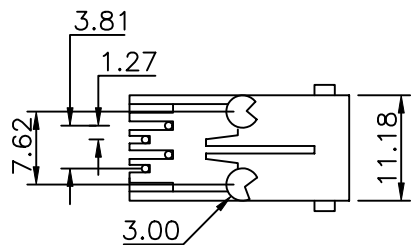
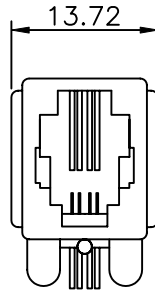
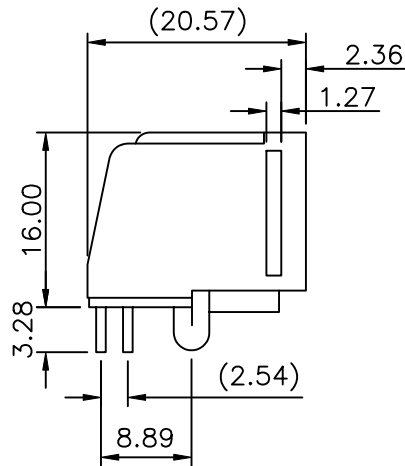


Table with columns: DESIGNED, DRAWN, CHECKED, APPROVED, SYM., DATE, DESCRIPTION OF REVISIONS, DRAWN, APPD, 3RD ANGLE, UNIT, SCALE, REV, AS ANGLES.

Table with columns: TOLERANCE, PART NO., TITLE, SHEET, 1 OF 1.