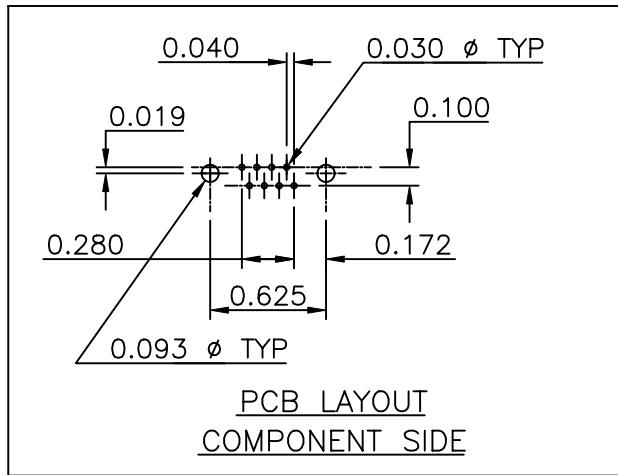
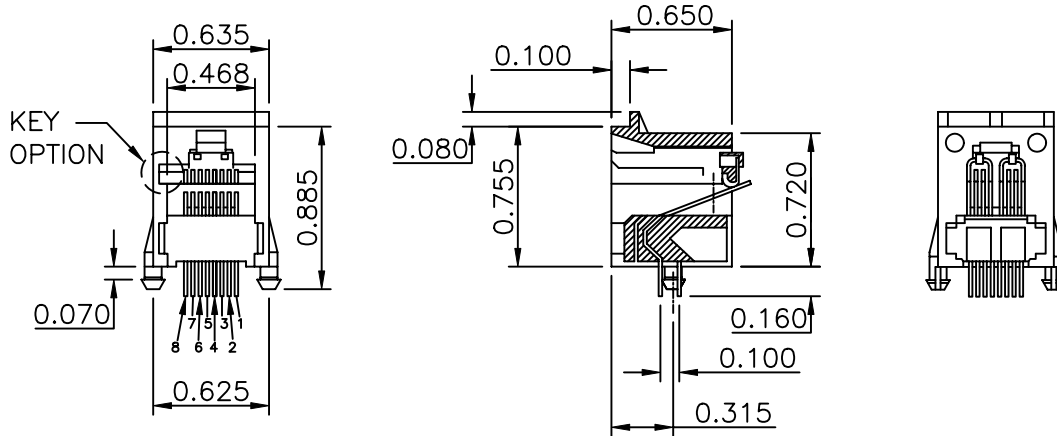


1	2	3	4	5
COMPONENT SPECIFICATION	USE OR REPRODUCTION OF THIS DRAWING FOR THE PURPOSE OF MANUFACTURING THIS ARTICLE OR ANY ARTICLES SHOWN FOR ANY PURPOSE IS STRICTLY PROHIBITED WITHOUT WRITTEN PERMISSION FROM SENIOR INDUSTRIES, INC.			SPECIFICATIONS



NOTES: 1. SHORTING PIN 1 TO PIN 4
2. SHORTING PIN 2 TO PIN 5

ELECTRICAL

CONTACT RATING: 1.5A AT 125 VAC
 CONTACT RESISTANCE: 30 MILLIOHMS MAX.
 INSULATION RESISTANCE: 500 MEGOHMS MIN. AT 500 VDC
 DIELECTRIC STRENGTH: 1000 VRMS FOR 1 MINUTE

MECHANICAL

LIFE: 750 CYCLES MIN.

ENVIRONMENTAL

OPERATING TEMPERATURE: 0°C TO 70°C
 STORAGE TEMPERATURE: -40°C TO +85°C

MATERIAL

HOUSING: GLASS FILLED POLYESTER, UL94V-0
 TERMINALS: PHOSPHOR BRONZE, 0.35t
 SHORTING BARS: PHOSPHOR BRONZE, 0.35t
 PLATING: CONTACT AREA - SELECTIVE GOLD PLATING OVER NICKEL OVER TIN
 TERMINATION AREA - 100 µIN TIN OVER NICKEL
 SHORTING BARS - GOLD OVER NICKEL

PART NUMBER BUILDER:

MODEL	KEYWAY	CONTACTS	PLATING	COLOR
9608S				
BLANK				
"K" (WITH KEY)				
0 = 8 CONTACTS				
1 = 6 CONTACTS				
2 = 4 CONTACTS				
		1. 15 µIN. Au		1. BLUE
		2. 30 µIN. Au		2. RED
		3. 50 µIN. Au		3. BLACK (STD)
		4. 6 µIN. Au		4. BROWN
		5. 3 µIN. Au		5. GREEN
				6. WHITE
				7. GRAY
				8. ORANGE
				9. YELLOW
				10. VIOLET
				11. IVORY/NEUTRAL



DESIGNED:			SYM.	DATE:	DESCRIPTION OF REVISIONS:	DRAWN:	APPD:	TOLERANCE:	PART NO:	9608S-X-X	
DRAWN:	RB	07/26/00	▲	04.30.04	NEW	RB	JF				
CHECKED:	GAT	12/13/05	▲	12.12.05	New Index, PN Builder upd, Lead rem'd, Gen dwg upd	GAT	JF	TO 2 DECIMAL PLACE: ±.015	TITLE:	MODULAR JACK	
APPROVED:	JF	12/20/05	▲					TO 3 DECIMAL PLACES: ±.010			
3RD ANGLE		UNIT:	mm	SCALE:	1:1	REV:	B	AS ANGLES:	±1/2"	SHEET:	1 OF 1