

COMPONENT SPECIFICATION

USE OR REPRODUCTION OF THIS DRAWING FOR THE PURPOSE OF MANUFACTURING THIS ARTICLE OR ANY ARTICLES SHOWN FOR ANY PURPOSE IS STRICTLY PROHIBITED WITHOUT WRITTEN PERMISSION FROM SENIOR INDUSTRIES, INC.

SPECIFICATIONS

ELECTRICAL

CONTACT RATING: 1.5A AT 125 VAC  
 CONTACT RESISTANCE: 30 MILLIOHMS MAX.  
 INSULATION RESISTANCE: 500 MEGOHMS MIN. AT 500 VDC  
 DIELECTRIC STRENGTH: 1000 VRMS FOR 1 MINUTE

MECHANICAL

LIFE: 750 CYCLES MIN.

ENVIRONMENTAL

OPERATING TEMPERATURE: 0°C TO 70°C  
 STORAGE TEMPERATURE: -40°C TO +85°C  
 CAVITY CONFORMS TO FCC RULES AND REGULATIONS PART 68, SUBPART F.

MATERIAL

HOUSING: GLASS FILLED PBT POLYESTER, UL94V-0  
 TERMINALS: PHOSPHOR BRONZE, 0.45t  
 PLATING: CONTACT AREA - SELECTIVE GOLD PLATING OVER NICKEL OVER TIN  
 TERMINATION AREA -100 μIN. TIN OVER NICKEL

REGULATORY:

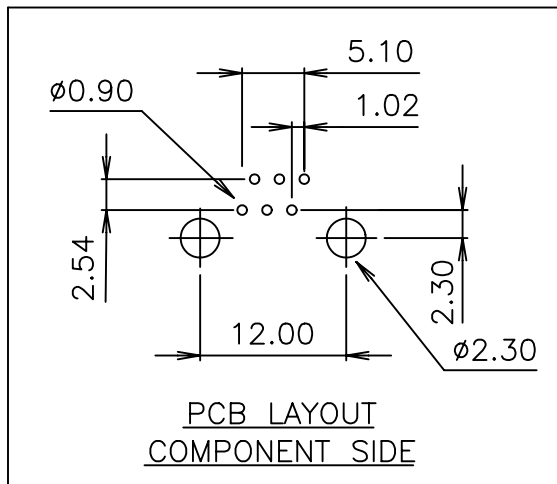
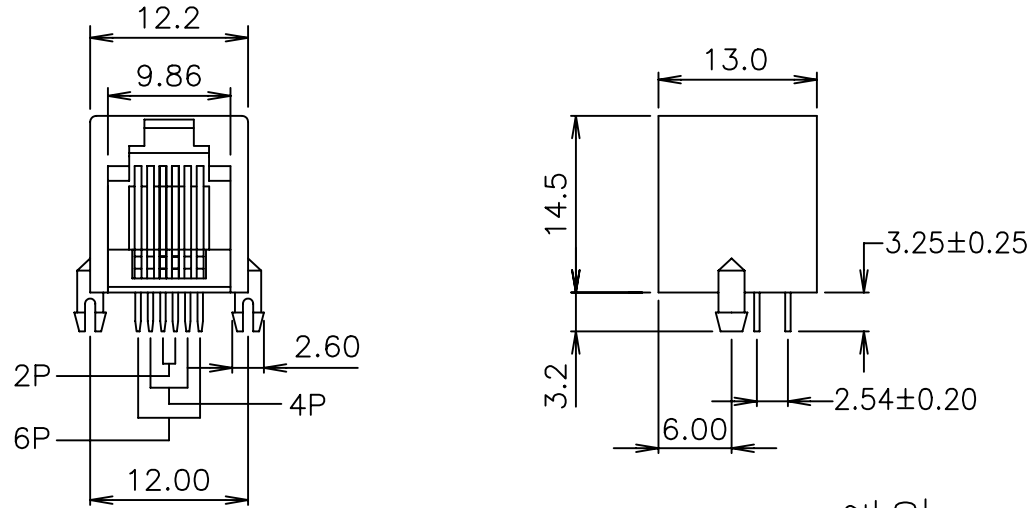
UL RECOGNIZED COMPONENT. UL FILE NO. E147880.

PART NUMBER BUILDER:

MODEL	CONTACTS	PLATING	COLOR
9612			
0 = 6 CONTACTS			1. BLUE
1 = 4 CONTACTS			2. RED
2 = 2 CONTACTS			3. BLACK (STD)
	1. 15 μIN. Au		4. BROWN
	2. 30 μIN. Au		5. GREEN
	3. 50 μIN. Au		6. WHITE
	4. 6 μIN. Au		7. GRAY
	5. 3 μIN. Au		8. ORANGE
			9. YELLOW
			10. VIOLET
			11. IVORY/NEUTRAL



**SENIOR INDUSTRIES, INC.**



DESIGNED:	DATE:	DESCRIPTION OF REVISIONS:	DRAWN:	APPD:
	01.25.01	NEW	RB	JF
DRAWN:	01/25/01		KO	JF
	07.19.05	New Index, PN Builder Corr'd, Comp Side Added	GAT	JF
CHECKED:	01/05/07	General spec updated		
APPROVED:	01/05/07			

TOLERANCE:	PART NO:	TITLE:
TO 1 DECIMAL PLACE: ±.3	9612-XX-X	MODULAR JACK
TO 2 DECIMAL PLACES: ±.15		
AS ANGLES: ±1/2°	SHEET:	1 OF 1

3RD ANGLE	UNIT: mm	SCALE: 1:1	REV: C
-----------	----------	------------	--------