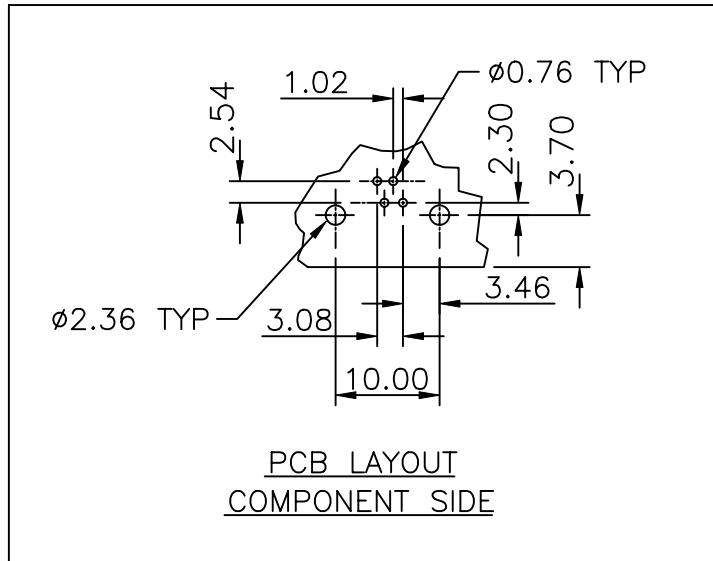
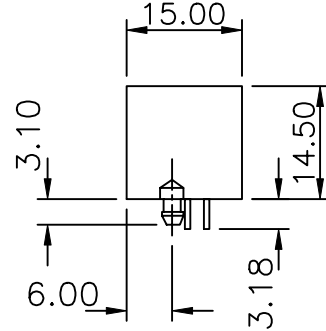
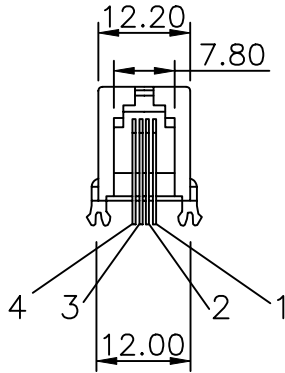


COMPONENT SPECIFICATION

USE OR REPRODUCTION OF THIS DRAWING FOR THE PURPOSE OF MANUFACTURING THIS ARTICLE OR ANY ARTICLES SHOWN FOR ANY PURPOSE IS STRICTLY PROHIBITED WITHOUT WRITTEN PERMISSION FROM SENIOR INDUSTRIES, INC.

SPECIFICATIONS



ELECTRICAL:

CONTACT RATING: 1.5A AT 125 VAC
 CONTACT RESISTANCE: 30 MILLIOHMS MAX.
 INSULATION RESISTANCE: 500 MEGOHMS MIN. AT 500 VDC
 DIELECTRIC STRENGTH: 1000 VRMS FOR 1 MINUTE

MECHANICAL:

LIFE: 750 CYCLES MIN.

ENVIRONMENTAL:

OPERATING TEMPERATURE: 0°C TO 70°C
 STORAGE TEMPERATURE: -40°C TO +85°C

MATERIAL:

HOUSING: GLASS FILLED POLYESTER, UL94V-0
 TERMINALS: PHOSPHOR BRONZE, 0.35t
 PLATING: CONTACT AREA - SELECTIVE GOLD PLATING OVER NICKEL OVER TIN

TERMINATION AREA -100 μIN. TIN OVER NICKEL

REGULATORY:

UL RECOGNIZED COMPONENT. UL FILE NO. E147880.

PART NUMBER BUILDER:

MODEL	CONTACTS	PLATING	COLOR
9613			
0 = 4 CONTACTS			
1 = 2 CONTACTS			
	1. 15 μIN. Au		1. BLUE
	2. 30 μIN. Au		2. RED
	3. 50 μIN. Au		3. BLACK (STD)
	4. 6 μIN. Au		4. BROWN
	5. 3 μIN. Au		5. GREEN
			6. WHITE
			7. GRAY
			8. ORANGE
			9. YELLOW
			10. VIOLET
			11. IVORY/NEUTRAL



SENIOR INDUSTRIES, INC.

DESIGNED:	DATE:	DESCRIPTION OF REVISIONS:	DRAWN:	APPD:
RJT	01/25/01	NEW	RB	JF
GAT	12/14/05	New Index, Flange Removed	GAT	JF
JF	12/20/05	Landscape index, Comp Side added, PN builder corr	KO	JF

TOLERANCE:	PART NO:	9613-XX-X
TO 1 DECIMAL PLACE: ±.3	TITLE:	MODULAR JACK
TO 2 DECIMAL PLACES: ±.15	SHEET:	1 OF 1

3RD ANGLE	UNIT: mm	SCALE: 1:1	REV: C
-----------	----------	------------	--------

AS ANGLES: ±1/2°	SHEET: 1 OF 1
------------------	---------------