

COMPONENT SPECIFICATION

USE OR REPRODUCTION OF THIS DRAWING FOR THE PURPOSE OF MANUFACTURING THIS ARTICLE OR ANY ARTICLES SHOWN FOR ANY PURPOSE IS STRICTLY PROHIBITED WITHOUT WRITTEN PERMISSION FROM SENIOR INDUSTRIES, INC.

SPECIFICATIONS

ELECTRICAL:

CONTACT RATING: 1.5A AT 125 VAC  
 CONTACT RESISTANCE: 30 MILLIOHMS MAX.  
 INSULATION RESISTANCE: 500 MEGOHMS MIN. AT 500 VDC  
 DIELECTRIC STRENGTH: 1000 VRMS FOR 1 MINUTE

MECHANICAL:

LIFE: 750 CYCLES MIN.

ENVIRONMENTAL:

OPERATING TEMPERATURE: 0°C TO 70°C  
 STORAGE TEMPERATURE: -40°C TO +85°C

MATERIAL:

HOUSING: GLASS FILLED POLYESTER, UL94V-0  
 TERMINALS: PHOSPHOR BRONZE, 0.35t  
 PLATING: CONTACT AREA - SELECTIVE GOLD PLATING OVER NICKEL OVER TIN

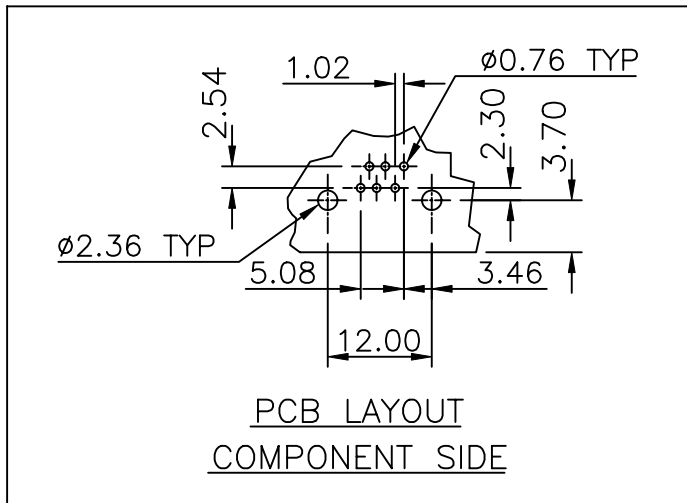
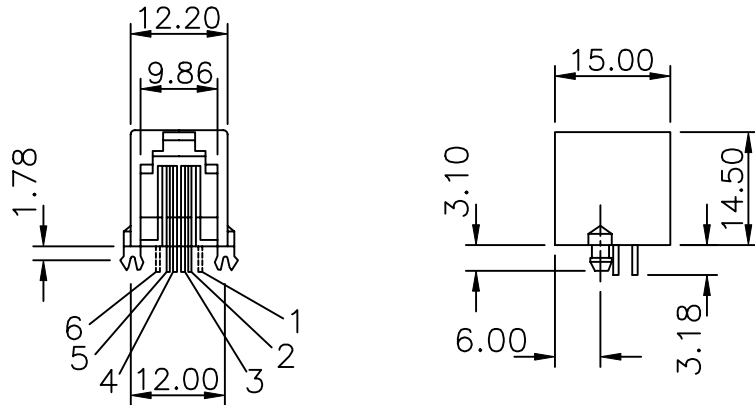
TERMINATION AREA -100 μIN. TIN OVER NICKEL

REGULATORY:

UL RECOGNIZED COMPONENT. UL FILE NO. E147880.

PART NUMBER BUILDER:

MODEL	CONTACTS	PLATING	COLOR
9614	□	□	□
0 = 6 CONTACTS			1. BLUE
1 = 4 CONTACTS			2. RED
2 = 2 CONTACTS			3. BLACK (STD)
1. 15 μIN. Au			4. BROWN
2. 30 μIN. Au			5. GREEN
3. 50 μIN. Au			6. WHITE
4. 6 μIN. Au			7. GRAY
5. 3 μIN. Au			8. ORANGE
			9. YELLOW
			10. VIOLET
			11. IVORY/NEUTRAL



**SENIOR INDUSTRIES, INC.**

DESIGNED:	DATE:	SYMBOL:	DESCRIPTION OF REVISIONS:	DRAWN:	APPD:
RJT	01/25/01	▲	NEW	RB	JF
GAT	12/15/05	▲	New Index, PN Builder Corr'd, Comp Side Added	KO	JF
JF	12/20/05	▲			

TOLERANCE:	PART NO:	9614-XX-X
TO 1 DECIMAL PLACE: ±.3	TITLE:	MODULAR JACK
TO 2 DECIMAL PLACES: ±.15	SHEET:	1 OF 1
AS ANGLES: ±1/2°		

3RD ANGLE	UNIT: mm	SCALE: 1:1	REV: B
-----------	----------	------------	--------