

COMPONENT SPECIFICATION

USE OR REPRODUCTION OF THIS DRAWING FOR THE PURPOSE OF MANUFACTURING THIS ARTICLE OR ANY ARTICLES SHOWN FOR ANY PURPOSE IS STRICTLY PROHIBITED WITHOUT WRITTEN PERMISSION FROM SENIOR INDUSTRIES, INC.

SPECIFICATIONS:

ELECTRICAL:

CONTACT RATING: 1.5A AT 125 VAC
 CONTACT RESISTANCE: 30 MILLIOHMS MAX.
 INSULATION RESISTANCE: 500 MEGOHMS MIN. AT 500 VDC
 DIELECTRIC STRENGTH: 1000 VRMS FOR 1 MINUTE

MECHANICAL:

LIFE: 750 CYCLES MIN.

ENVIRONMENTAL:

OPERATING TEMPERATURE: 0°C TO +70°C
 STORAGE TEMPERATURE: -40°C TO +85°C

MATERIAL:

HOUSING: GLASS FILLED POLYESTER, UL94V-0
 TERMINALS: PHOSPHOR BRONZE, 0.35t
 PLATING: CONTACT AREA - SELECTIVE GOLD PLATING OVER NICKEL OVER TIN

TERMINATION AREA - 100 μIN. TIN OVER NICKEL

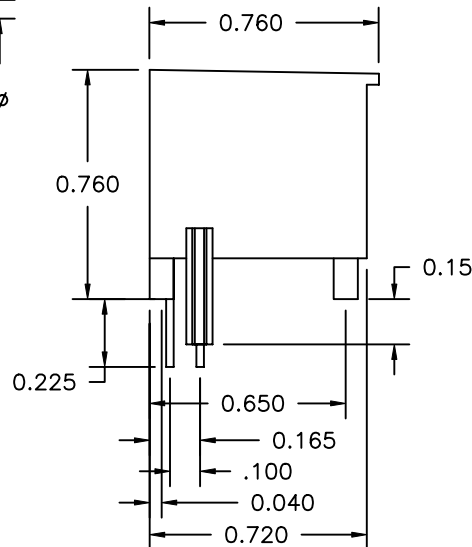
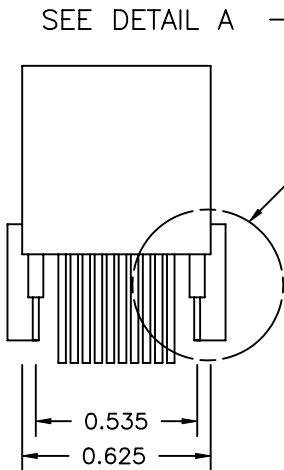
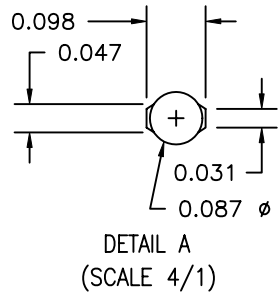
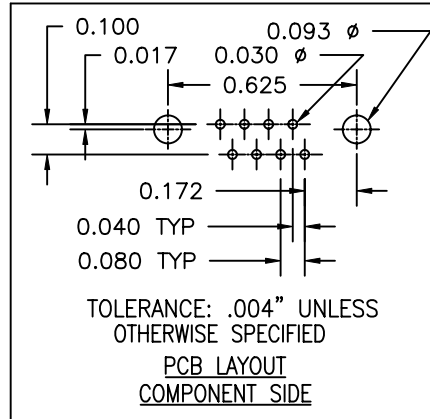
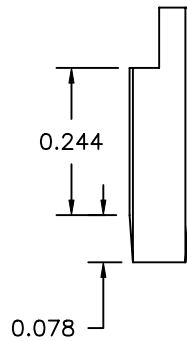
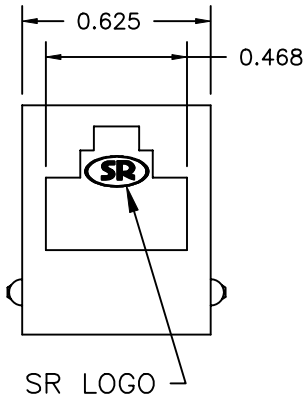
PART NUMBER BUILDER:

MODEL	KEYWAY	CONTACTS	PLATING	COLOR
9615				
BLANK				
"K" (WITH KEY)		0 = 8 CONTACTS 1 = 6 CONTACTS 2 = 4 CONTACTS		1. BLUE 2. RED 3. BLACK (STD) 4. BROWN 5. GREEN 6. WHITE 7. GRAY 8. ORANGE 9. YELLOW 10. VIOLET 11. IVORY/NEUTRAL
		1. 15 μIN. Au 2. 30 μIN. Au 3. 50 μIN. Au 4. 6 μIN. Au 5. 3 μIN. Au		

A

B

C



SENIOR INDUSTRIES, INC.

DESIGNED:			SYM.	DATE:	DESCRIPTION OF REVISIONS:	DRAWN:	APPD:	TOLERANCE:	PART NO:	9615-XX-X
DRAWN:	HV	03/23/98	▲	02.11.99	Added Logo	TF	JF	TO 2 DECIMAL PLACE: ±.015	TITLE:	MODULAR JACK
CHECKED:	GAT	12/15/05	▲	03.27.00	Updated Specifications	RB	JF			
APPROVED:	JF	12/20/05	▲	08.10.00	Chang'd Mounting Post Length-0.15 to 0.115	RB	JF	TO 3 DECIMAL PLACES: ±.010	SHEET:	1 OF 1
			▲	01.04.01	Chang'd Mounting Post Dim-0.115 bk to 0.15	RB	JF			
			▲	07.20.05	New Index, PN Builder Corrected	KO	JF	AS ANGLES:		
3RD ANGLE		UNIT:	IN	SCALE:	2:1	REV:	I			