

COMPONENT SPECIFICATION

USE OR REPRODUCTION OF THIS DRAWING FOR THE PURPOSE OF MANUFACTURING THIS ARTICLE OR ANY ARTICLES SHOWN FOR ANY PURPOSE IS STRICTLY PROHIBITED WITHOUT WRITTEN PERMISSION FROM SENIOR INDUSTRIES, INC.

SPECIFICATIONS

ELECTRICAL

CONTACT RATING: 1.5A AT 125 VAC
 CONTACT RESISTANCE: 30 MILLIOHMS MAX.
 INSULATION RESISTANCE: 500 MEGOHMS MIN. AT 500 VDC
 DIELECTRIC STRENGTH: 1000 VRMS FOR 1 MINUTE

MECHANICAL

LIFE: 750 CYCLES MIN.

ENVIRONMENTAL

OPERATING TEMPERATURE: 0°C TO 70°C
 STORAGE TEMPERATURE: -40°C TO +85°C

MATERIAL

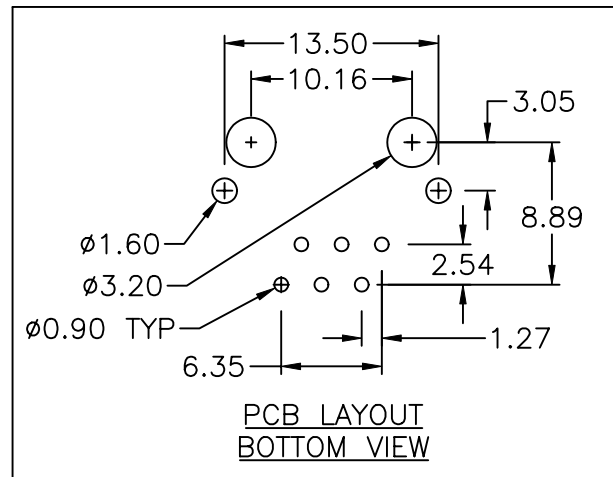
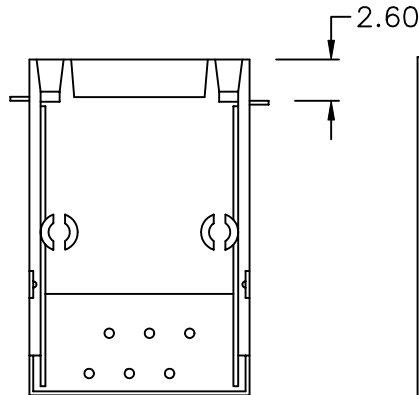
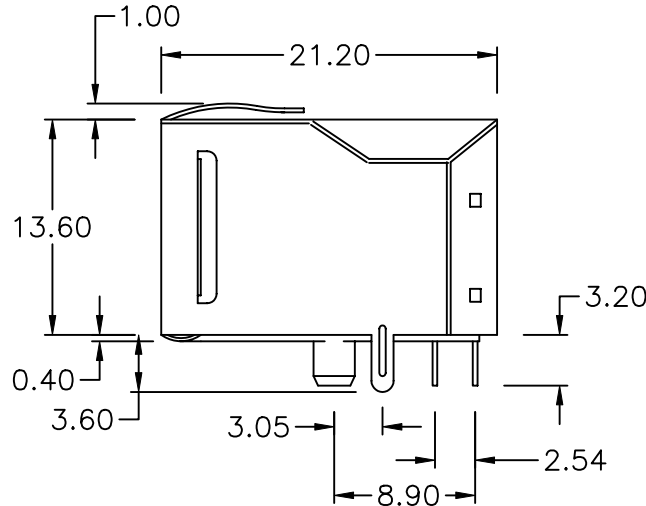
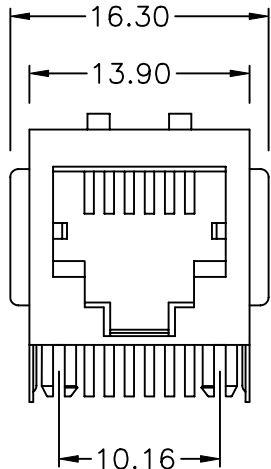
HOUSING: GLASS FILLED POLYESTER, UL94V-0
 TERMINALS: PHOSPHOR BRONZE, 0.35t
 PLATING: CONTACT AREA - SELECTIVE GOLD PLATING OVER NICKEL OVER TIN
 TERMINATION AREA -100 μIN. TIN OVER NICKEL
 SHIELD: BRASS, TIN PLATING

REGULATORY:

UL AND CANADA RECOGNIZED COMPONENT. UL/CUL FILE NO. E147880.

PART NUMBER BUILDER:

MODEL	CONTACTS	PLATING	COLOR
9619R			
	0 = 6 CONTACTS		1. BLUE
	1 = 4 CONTACTS		2. RED
	2 = 2 CONTACTS		3. BLACK (STD)
		1. 15 μIN. Au	4. BROWN
		2. 30 μIN. Au	5. GREEN
		3. 50 μIN. Au	6. WHITE
		4. 6 μIN. Au	7. GRAY
		5. 3 μIN. Au	8. ORANGE
			9. YELLOW
			10. VIOLET
			11. IVORY/NEUTRAL



DESIGNED:	DATE:	SYM.	DATE:	DESCRIPTION OF REVISIONS:	DRAWN:	APPD:
	03.07.01	▲	03.07.01	NEW	RB	JF
DRAWN: RJT	01/19/01	▲	07.25.05	New Index, PN Builder Corrected	KO	JF
CHECKED: GAT	01/31/06	▲				
APPROVED: JF	01/31/06	▲				

TOLERANCE:	PART NO:	TITLE:	SHEET:
	9619R-XX-X	MODULAR JACK	1 OF 1
TO 1 DECIMAL PLACE: ±.3			
TO 2 DECIMAL PLACES: ±.15			
AS ANGLES: ±1/2°			

3RD ANGLE		UNIT: mm	SCALE:	REV: B
-----------	--	----------	--------	--------