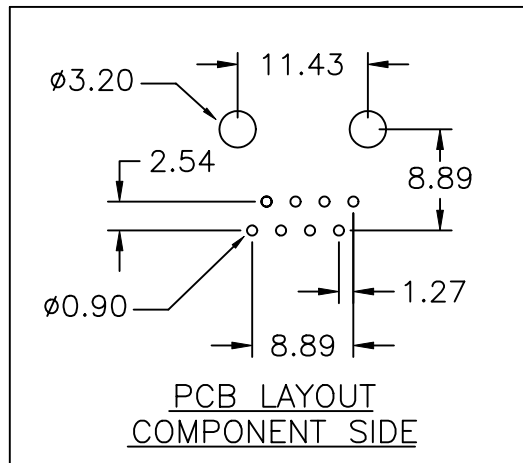
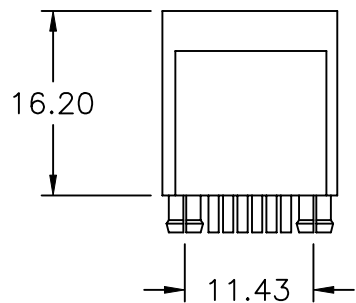
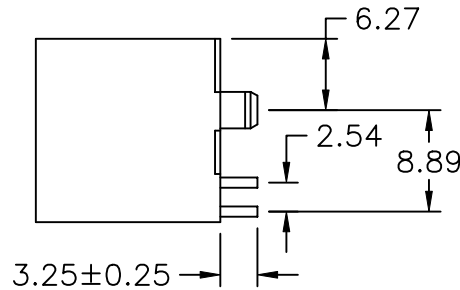
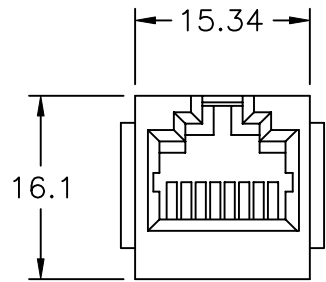


COMPONENT SPECIFICATION

USE OR REPRODUCTION OF THIS DRAWING FOR THE PURPOSE OF MANUFACTURING THIS ARTICLE OR ANY ARTICLES SHOWN FOR ANY PURPOSE IS STRICTLY PROHIBITED WITHOUT WRITTEN PERMISSION FROM SENIOR INDUSTRIES, INC.

SPECIFICATIONS



ELECTRICAL:

CONTACT RATING: 1.5A AT 125 VAC
 CONTACT RESISTANCE: 30 MILLIOHMS MAX.
 INSULATION RESISTANCE: 500 MEGOHMS MIN. AT 500 VDC
 DIELECTRIC STRENGTH: 1000 VRMS FOR 1 MINUTE

MECHANICAL:

LIFE: 750 CYCLES MIN.

ENVIRONMENTAL:

OPERATING TEMPERATURE: 0°C TO 70°C
 STORAGE TEMPERATURE: -40°C TO +85°C

MATERIAL:

HOUSING: GLASS FILLED POLYESTER, UL94V-0
 TERMINALS: PHOSPHOR BRONZE, 0.35t
 PLATING: CONTACT AREA - SELECTIVE GOLD PLATING OVER NICKEL OVER TIN
 TERMINATION AREA - 100 μIN. TIN OVER NICKEL

REGULATORY:

UL RECOGNIZED COMPONENT. UL FILE NO. E147880.

PART NUMBER BUILDER:

MODEL	KEYWAY	CONTACTS	PLATING	COLOR
9628				
BLANK "k" (WITH KEY)				
0 = 8 CONTACTS				1. BLUE
1 = 6 CONTACTS				2. RED
2 = 4 CONTACTS				3. BLACK (STD)
		1. 15 μIN. Au		4. BROWN
		2. 30 μIN. Au		5. GREEN
		3. 50 μIN. Au		6. WHITE
		4. 6 μIN. Au		7. GRAY
		5. 3 μIN. Au		8. ORANGE
				9. YELLOW
				10. VIOLET
				11. IVORY/NEUTRAL



SENIOR INDUSTRIES, INC.

DESIGNED:			SYM.	DATE:	DESCRIPTION OF REVISIONS:	DRAWN:	APPD:	TOLERANCE:	PART NO:	9628-XX-X
DRAWN:	RB	04/26/00	▲	04.26.00	NEW	GAT	JF			
CHECKED:	GAT	02/02/06	▲	07.21.05	New Index, PN Builder Corrected	KO	JF	TO 1 DECIMAL PLACE: ± .3	TITLE:	MODULAR JACK
APPROVED:	JF	02/02/06	▲					TO 2 DECIMAL PLACES: ± .12		
3RD ANGLE		UNIT:	mm	SCALE:	2:1	REV:	B	AS ANGLES: ±	SHEET:	1 OF 1