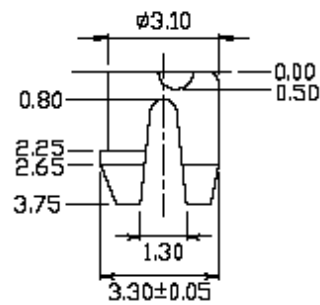
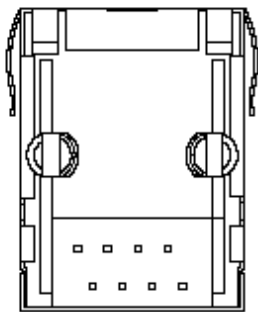
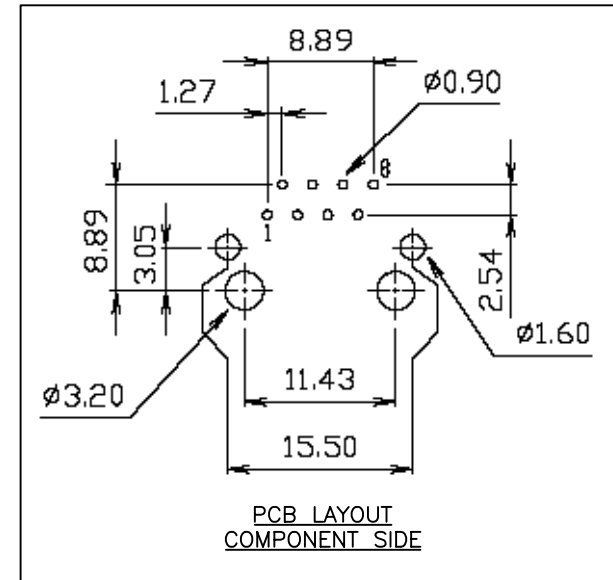
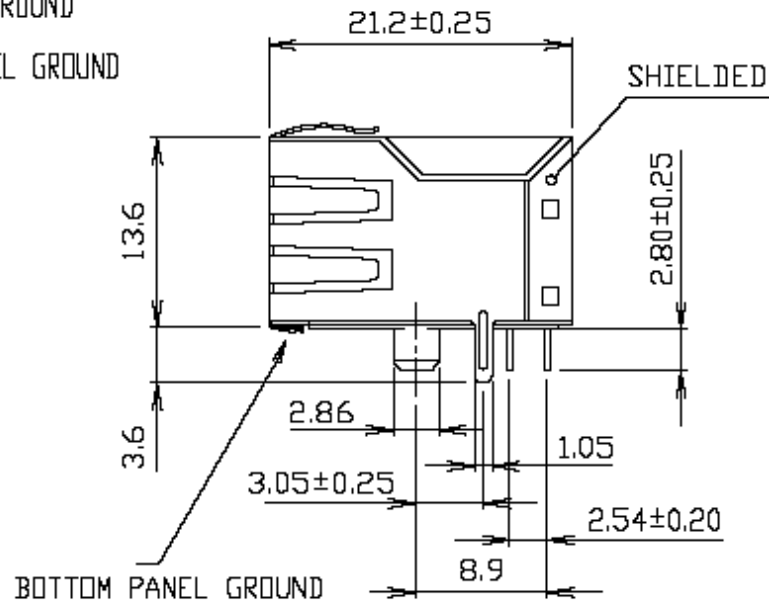
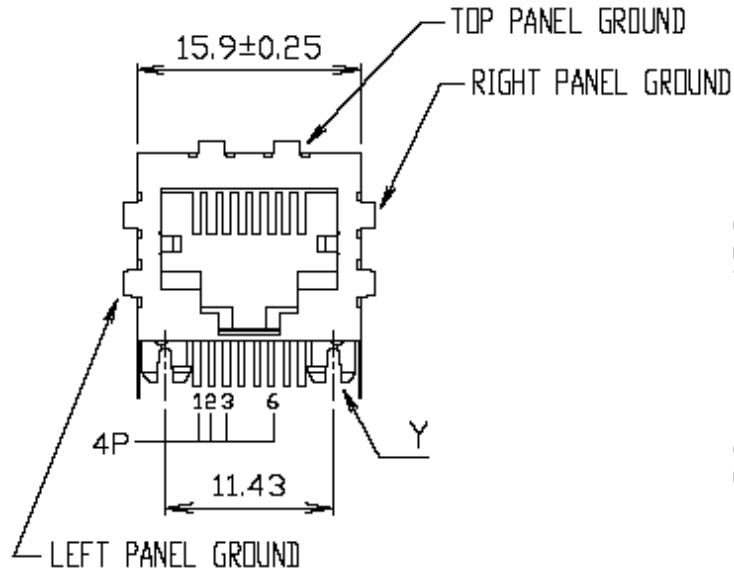


COMPONENT SPECIFICATION

USE OR REPRODUCTION OF THIS DRAWING FOR THE PURPOSE OF MANUFACTURING THIS ARTICLE OR ANY ARTICLES SHOWN FOR ANY PURPOSE IS STRICTLY PROHIBITED WITHOUT WRITTEN PERMISSION FROM SENIOR INDUSTRIES, INC.



SENIOR INDUSTRIES, INC.

DESIGNED:			SYM.	DATE:	DESCRIPTION OF REVISIONS:	DRAWN:	APPD:	TOLERANCE:	PART NO:	9631R1-XX-X
DRAWN:	GAT	10/03/07	▲	10.03.07	NEW	GAT	JF			
CHECKED:	GAT	10/03/07	▲					TO 1 DECIMAL PLACE: $\pm .25$	TITLE:	MODULAR JACK
APPROVED:	JF	10/03/07	▲					TO 2 DECIMAL PLACES: $\pm .13$		
3RD ANGLE		UNIT:	mm	SCALE:	1:1	REV.	A	AS ANGLES: $\pm 1/2^\circ$	SHEET:	1 OF 2

1

2

3

4

5

COMPONENT SPECIFICATION

USE OR REPRODUCTION OF THIS DRAWING FOR THE PURPOSE OF MANUFACTURING THIS ARTICLE OR ANY ARTICLES SHOWN FOR ANY PURPOSE IS STRICTLY PROHIBITED WITHOUT WRITTEN PERMISSION FROM SENIOR INDUSTRIES, INC.

SPECIFICATIONS

ELECTRICAL:

- CONTACT RATING: 1.5A AT 125 VAC
- CONTACT RESISTANCE: 30 MILLIOHMS MAX.
- INSULATION RESISTANCE: 500 MEGOHMS MIN. AT 500 VDC
- DIELECTRIC STRENGTH: 1000 VRMS FOR 1 MINUTE

MECHANICAL:

- LIFE: 750 CYCLES MIN.

ENVIRONMENTAL:

- OPERATING TEMPERATURE: 0°C TO 70°C
- STORAGE TEMPERATURE: -40°C TO +85°C

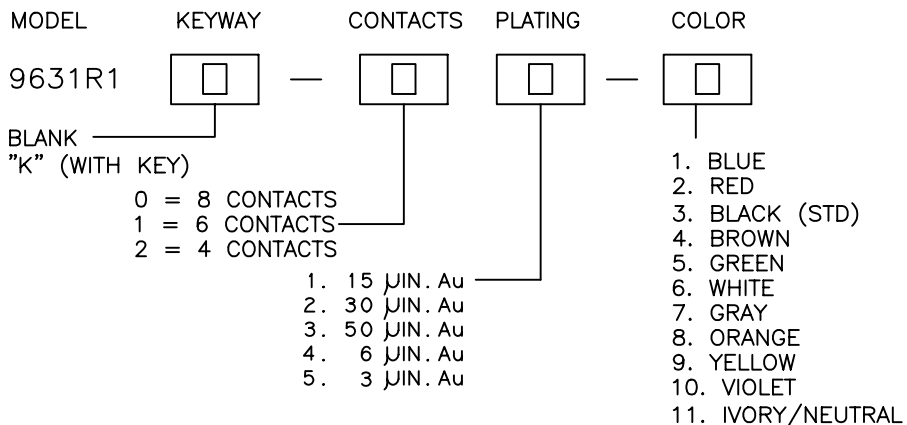
ENVIRONMENTAL:

CAVITY CONFORMS TO FCC RULES AND REGULATIONS PART 68, SUBPART F.

MATERIAL:

- HOUSING: GLASS FILLED PBT POLYESTER, UL94V-0
- TERMINALS: 0.35mm THICK PHOSPHOR BRONZE
- SHIELD: 0.25mm THICK COPPER ALLOY, NICKEL PLATING
- PLATING: CONTACT AREA - SELECTIVE GOLD PLATING
- TERMINATION AREA - GOLD FLASH

PART NUMBER BUILDER:



SENIOR INDUSTRIES, INC.

DESIGNED:			SYM.	DATE:	DESCRIPTION OF REVISIONS:	DRAWN:	APPD:	TOLERANCE:	PART NO:	9631R1-XX-X
DRAWN:	GAT	10/03/07		10.03.07	NEW	GAT	JF			
CHECKED:	GAT	10/03/07						TO 1 DECIMAL PLACE: ±.25	TITLE:	MODULAR JACK
APPROVED:	JF	10/03/07						TO 2 DECIMAL PLACES: ±.13	SHEET:	2 OF 2
3RD ANGLE		UNIT:	mm	SCALE:	1:1	REV.	A	AS ANGLES: ±1/2°		