

1

2

3

4

5

COMPONENT SPECIFICATION

USE OR REPRODUCTION OF THIS DRAWING FOR THE PURPOSE OF MANUFACTURING THIS ARTICLE OR ANY ARTICLES SHOWN FOR ANY PURPOSE IS STRICTLY PROHIBITED WITHOUT WRITTEN PERMISSION FROM SENIOR INDUSTRIES, INC.

SPECIFICATIONS

ELECTRICAL:

CONTACT RATING: 1.5A AT 125 VAC
CONTACT RESISTANCE: 30 MILLIOHMS MAX.
INSULATION RESISTANCE: 500 MEGOHMS MIN. AT 500 VDC
DIELECTRIC STRENGTH: 1000 VRMS FOR 1 MINUTE

MECHANICAL:

LIFE: 750 CYCLES MIN.

ENVIRONMENTAL:

OPERATING TEMPERATURE: 0°C TO 70°C
STORAGE TEMPERATURE: -40°C TO +85°C

MATERIAL:

HOUSING: GLASS FILLED POLYESTER, UL94V-0
TERMINALS: PHOSPHOR BRONZE, 0.35t
SHIELD: BRASS, TIN PLATING
PLATING: CONTACT AREA - SELECTIVE GOLD PLATING OVER NICKEL OVER TIN
TERMINATION AREA - 100 µIN TIN OVER NICKEL

PART NUMBER BUILDER:

Table with columns: MODEL, KEYWAY, CONTACTS, PLATING, COLOR. Includes part number 9631R and a list of 11 color options.

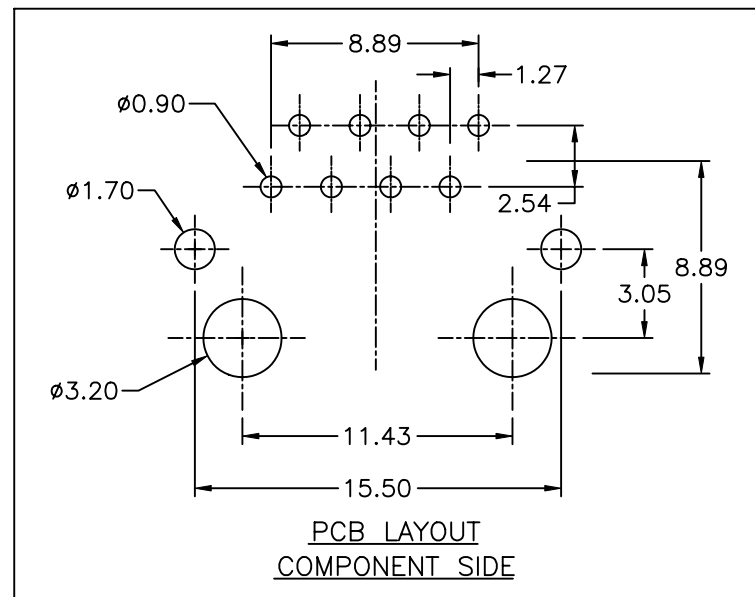
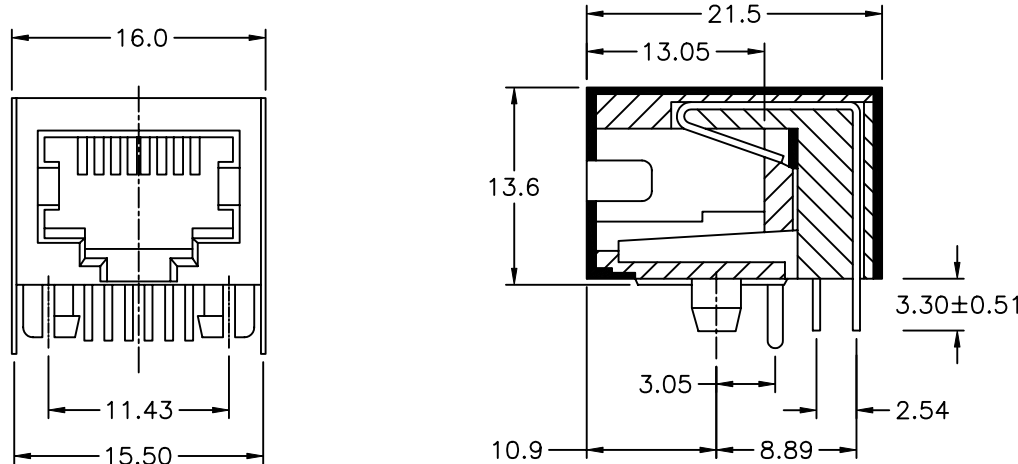


Table with columns: DESIGNED, DRAWN, CHECKED, APPROVED, SYM., DATE, DESCRIPTION OF REVISIONS, DRAWN, APPD, 3RD ANGLE, UNIT, SCALE, REV.

Table with columns: TOLERANCE, PART NO., TITLE, SHEET, including values like ±.3, 9631R-XX-X, MODULAR JACK, 1 OF 1.