

1

2

3

4

5

COMPONENT SPECIFICATION

USE OR REPRODUCTION OF THIS DRAWING FOR THE PURPOSE OF MANUFACTURING THIS ARTICLE OR ANY ARTICLES SHOWN FOR ANY PURPOSE IS STRICTLY PROHIBITED WITHOUT WRITTEN PERMISSION FROM SENIOR INDUSTRIES, INC.

SPECIFICATIONS

ELECTRICAL:

CONTACT RATING: 1.5A AT 125 VAC
CONTACT RESISTANCE: 30 MILLIOHMS MAX.
INSULATION RESISTANCE: 500 MEGOHMS MIN. AT 500 VDC
DIELECTRIC STRENGTH: 1000 VRMS FOR 1 MINUTE

MECHANICAL:

HOUSING: DSM STANYL TE250F6 (NYLON-46), UL94V-0
HEAT DEFLECTION TEMPERATURE 290°C
CONTACTS/TERMINALS: PHOSPHOR BRONZE, 0.35t
HOLD DOWN TERMINALS: COPPER ALLOY, TIN PLATING, 0.30t
PLATING: CONTACT AREA - SELECTIVE GOLD OVER NICKEL
TERMINATION AREA - GOLD FLASH PLATING
LIFE: 750 CYCLES MIN.

ENVIRONMENTAL:

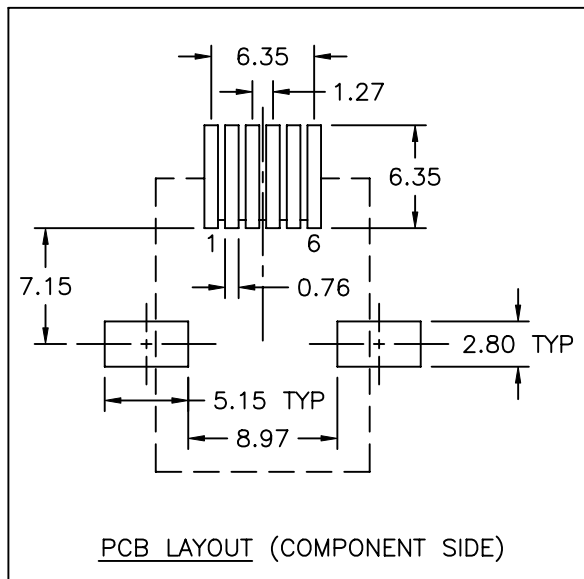
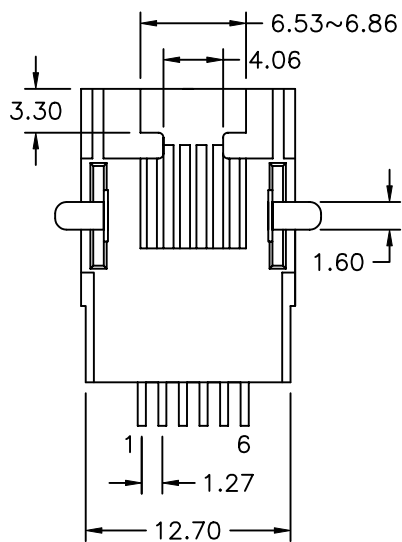
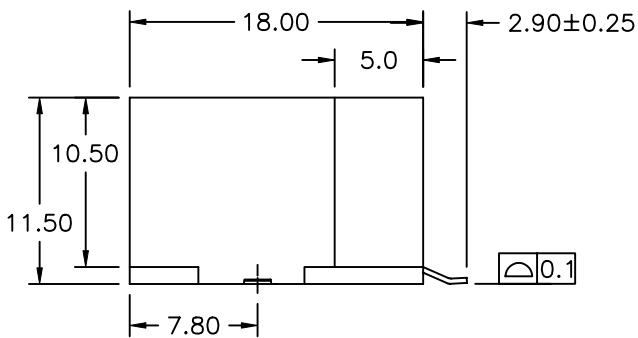
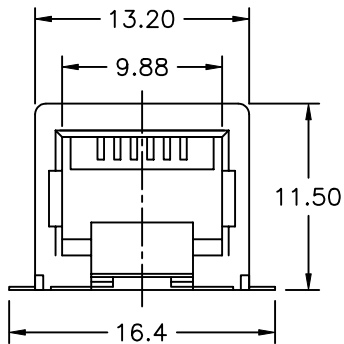
OPERATING TEMPERATURE: 0°C TO 70°C
STORAGE TEMPERATURE: -40°C TO +85°C
PART SHALL WITHSTAND REFLOW SOLDER TEMPERATURE OF 260°C FOR 10 SECONDS
CAVITY CONFORMS TO FCC RULES AND REGULATIONS PART 68, SUBPART F

REGULATORY:

UL AND CANADA RECOGNIZED COMPONENT. UL/CUL FILE NO. E147880.

PART NUMBER BUILDER:

Table with columns: MODEL, CONTACTS, PLATING, COLOR. Includes color key for 11 options (BLUE, RED, BLACK, BROWN, GREEN, WHITE, GRAY, ORANGE, YELLOW, VIOLET, IVORY/NEUTRAL).



RoHS COMPLIANT



Table with columns: DESIGNED, DRAWN, CHECKED, APPROVED, SYM, DATE, DESCRIPTION OF REVISIONS, DRAWN, APPD.

Table with columns: TOLERANCE, PART NO, TITLE, SHEET.

Table with columns: 3RD ANGLE, UNIT, SCALE, REV, D, AS ANGLES, SHEET.