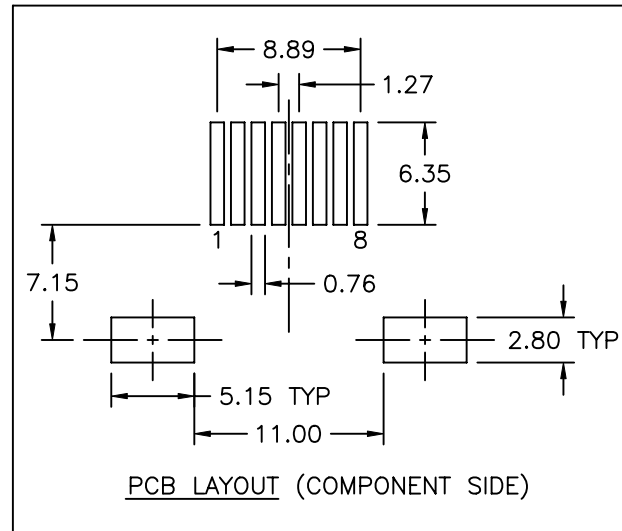
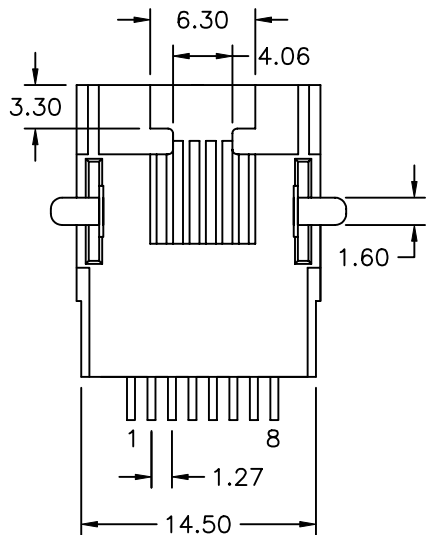
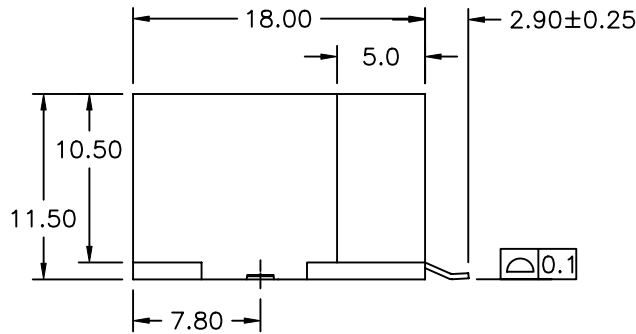
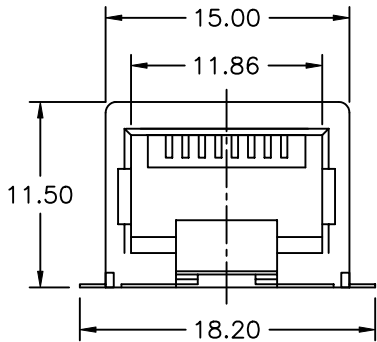


COMPONENT SPECIFICATION

USE OR REPRODUCTION OF THIS DRAWING FOR THE PURPOSE OF MANUFACTURING THIS ARTICLE OR ANY ARTICLES SHOWN FOR ANY PURPOSE IS STRICTLY PROHIBITED WITHOUT WRITTEN PERMISSION FROM SENIOR INDUSTRIES, INC.

SPECIFICATIONS



ELECTRICAL:

CONTACT RATING: 1.5A AT 125 VAC
 CONTACT RESISTANCE: 30 MILLIOHMS MAX.
 INSULATION RESISTANCE: 500 MEGOHMS MIN. AT 500 VDC
 DIELECTRIC STRENGTH: 1000 VRMS FOR 1 MINUTE

MECHANICAL:

HOUSING: DSM STANYL TE250F6 (NYLON-46), UL94V-0
 HEAT DEFLECTION TEMPERATURE 290°C
 CONTACTS/TERMINALS: PHOSPHOR BRONZE, 0.35t
 HOLD DOWN TERMINALS: COPPER ALLOY, TIN PLATING, 0.30t
 PLATING: CONTACT AREA - SELECTIVE GOLD OVER NICKEL
 TERMINATION AREA - GOLD FLASH PLATING
 LIFE: 750 CYCLES MIN.

ENVIRONMENTAL:

OPERATING TEMPERATURE: 0°C TO +70°C
 STORAGE TEMPERATURE: -40°C TO +85°C
 PART SHALL WITHSTAND REFLOW SOLDER TEMPERATURE OF 260°C FOR 10 SECONDS
 CAVITY CONFORMS TO FCC RULES AND REGULATIONS PART 68, SUBPART F

REGULATORY:

UL AND CANADA RECOGNIZED COMPONENT. UL/CUL FILE NO. E147880.

PART NUMBER BUILDER:

MODEL	CONTACTS	PLATING	COLOR
9633			
0 = 8 CONTACTS			1. BLUE
1 = 6 CONTACTS			2. RED
2 = 4 CONTACTS			3. BLACK (STD)
		1. 15 µIN. Au	4. BROWN
		2. 30 µIN. Au	5. GREEN
		3. 50 µIN. Au	6. WHITE
		4. 6 µIN. Au	7. GRAY
		5. 3 µIN. Au	8. ORANGE
			9. YELLOW
			10. VIOLET
			11. IVORY/NEUTRAL

RoHS COMPLIANT



SENIOR INDUSTRIES, INC.

DESIGNED:			SYM.	DATE:	DESCRIPTION OF REVISIONS:	DRAWN:	APPD:	TOLERANCE:	PART NO:	9633-XX-X
DRAWN:	HV	11/10/99	▲	11.10.99	NEW	HV	JF	TO 1 DECIMAL PLACE: ±.25 TO 2 DECIMAL PLACES: ±.13 AS ANGLES: ±1/2°	TITLE:	MODULAR JACK
CHECKED:	GAT	02/22/07	▲	03.31.00	New version released	RB	JF			
APPROVED:	JF	02/22/07	▲	07.22.05	New Index, PN Builder corrected, 'Lead' rem'd	KO	JF			
			▲	02.21.07	Updated all specifications and part views	GAT	JF			
3RD ANGLE		UNIT:	mm	SCALE:	3:1	REV:	D	SHEET:	1 OF 1	