

COMPONENT SPECIFICATION

USE OR REPRODUCTION OF THIS DRAWING FOR THE PURPOSE OF MANUFACTURING THIS ARTICLE OR ANY ARTICLES SHOWN FOR ANY PURPOSE IS STRICTLY PROHIBITED WITHOUT WRITTEN PERMISSION FROM SENIOR INDUSTRIES, INC.

SPECIFICATIONS

ELECTRICAL:

CONTACT RATING: 1.5A AT 125 VAC
 CONTACT RESISTANCE: 30 MILLIOHMS MAX.
 INSULATION RESISTANCE: 500 MEGOHMS MIN. AT 500 VDC
 DIELECTRIC STRENGTH: 1000 VRMS FOR 1 MINUTE

MECHANICAL:

LIFE: 750 CYCLES MIN.

ENVIRONMENTAL:

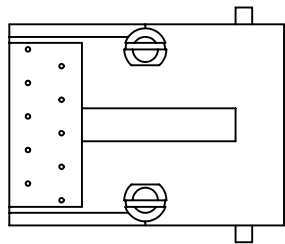
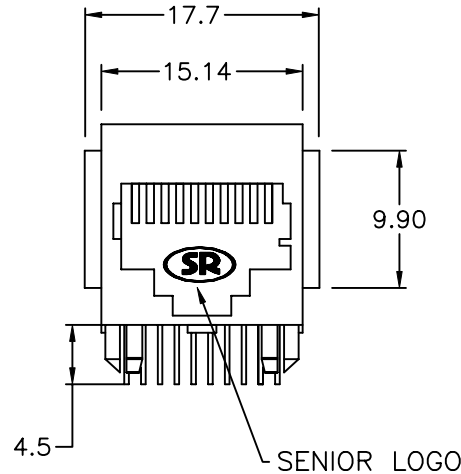
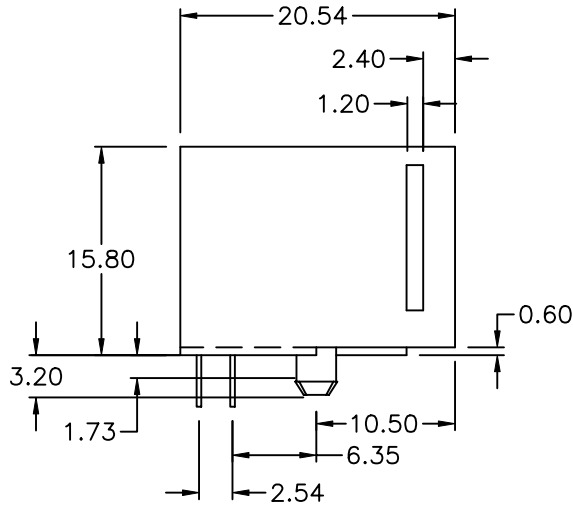
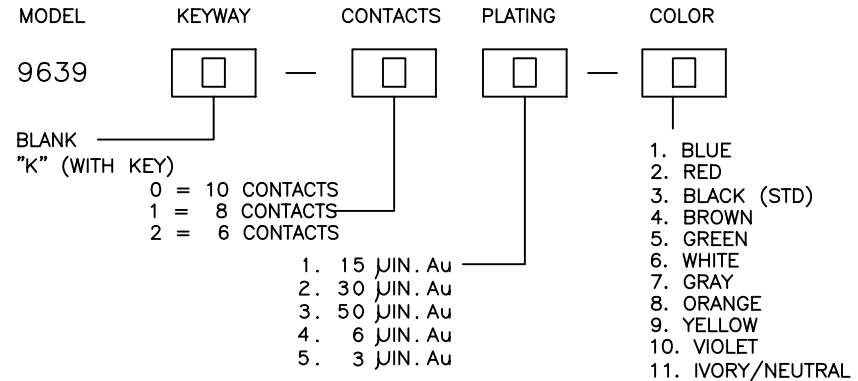
OPERATING TEMPERATURE: 0°C TO 70°C
 STORAGE TEMPERATURE: -40°C TO +85°C

MATERIAL:

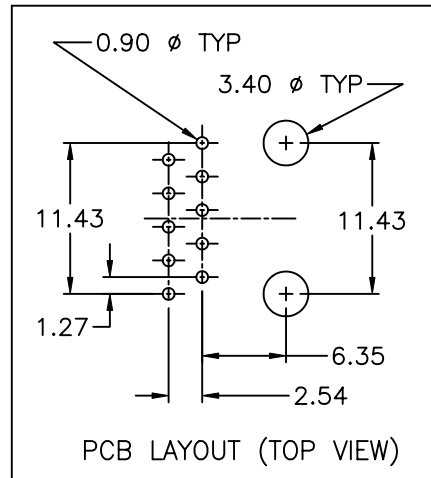
HOUSING: GLASS FILLED POLYESTER, UL94V-0
 TERMINALS: PHOSPHOR BRONZE, 0.35t
 PLATING: CONTACT AREA - SELECTIVE GOLD PLATING OVER NICKEL OVER TIN

TERMINATION AREA -100 μIN. TIN OVER NICKEL

PART NUMBER BUILDER:



NOTE: NON-KEYED VERSION SHOWN



SENIOR INDUSTRIES, INC.

DESIGNED:			SYM.	DATE:	DESCRIPTION OF REVISIONS:	DRAWN:	APPD:	TOLERANCE:	PART NO:	9639-XX-X
DRAWN:	RB	03/04/99	▲	10.21.97	Redraw to show correct part to original qual	TF	JF	TO 1 DECIMAL PLACE: ±.3 TO 2 DECIMAL PLACES: ±.12	TITLE:	MODULAR JACK
CHECKED:	GAT	02/03/06	▲	11.09.00	Removed keyway and shorting bars	RB	JF		SHEET:	1 OF 1
APPROVED:	JF	02/03/06	▲	11.22.00	Added "Note: Non-Key Version Shown"	RB	JF			
			▲	02.16.01	Changed flange dim from 12.95 to 9.90	RB	JF			
			▲	07.22.05	New Index, PN Builder Corrected. Lead remv'd	KO	JF			
3RD ANGLE		UNIT:	mm	SCALE:	1:1	REV:	F	AS ANGLES:	±1/2°	