

COMPONENT SPECIFICATION

USE OR REPRODUCTION OF THIS DRAWING FOR THE PURPOSE OF MANUFACTURING THIS ARTICLE OR ANY ARTICLES SHOWN FOR ANY PURPOSE IS STRICTLY PROHIBITED WITHOUT WRITTEN PERMISSION FROM SENIOR INDUSTRIES, INC.

SPECIFICATIONS

ELECTRICAL:

CONTACT RATING: 1.5A AT 125 VAC  
 CONTACT RESISTANCE: 30 MILLIOHMS MAX.  
 INSULATION RESISTANCE: 500 MEGOHMS MIN. AT 500 VDC  
 DIELECTRIC STRENGTH: 1000 VRMS FOR 1 MINUTE

MECHANICAL:

LIFE: 750 CYCLES MIN.

ENVIRONMENTAL:

OPERATING TEMPERATURE: 0°C TO +70°C  
 STORAGE TEMPERATURE: -40°C TO +85°C

MATERIAL:

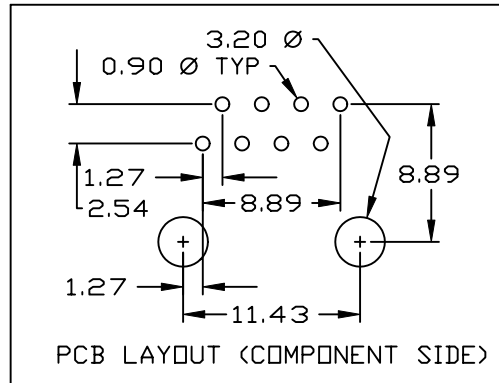
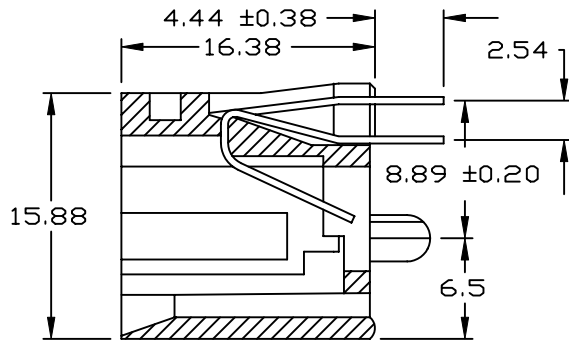
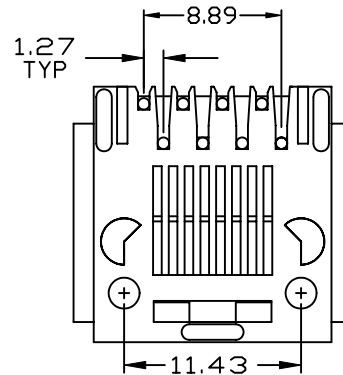
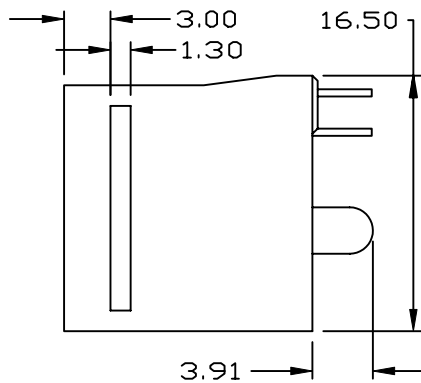
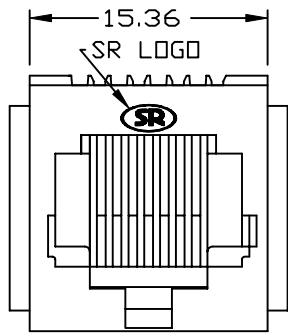
HOUSING: GLASS FILLED POLYESTER, UL94V-0  
 TERMINALS: PHOSPHOR BRONZE, 0.35t  
 PLATING: CONTACT AREA - SELECTIVE GOLD PLATING OVER NICKEL OVER TIN  
 TERMINATION AREA - 100 μIN. TIN OVER NICKEL

REGULATORY:

UL AND CANADA RECOGNIZED COMPONENT. UL/CUL FILE NO. E147880.

PART NUMBER BUILDER:

MODEL	KEYWAY	CONTACTS	PLATING	COLOR
9641				
BLANK "K" (WITH KEY)				
0 = 8 CONTACTS 1 = 6 CONTACTS 2 = 4 CONTACTS			1. 15 μIN. Au 2. 30 μIN. Au 3. 50 μIN. Au 4. 6 μIN. Au 5. 3 μIN. Au	1. BLUE 2. RED 3. BLACK (STD) 4. BROWN 5. GREEN 6. WHITE 7. GRAY 8. ORANGE 9. YELLOW 10. VIOLET 11. IVORY/NEUTRAL



SENIOR INDUSTRIES, INC.

DESIGNED:			SYM.	DATE:	DESCRIPTION OF REVISIONS:	DRAWN:	APPD:
DRAWN:	HV	01/31/98	▲	06.16.98	I.R. chg'd fr 500mA@1000VAC-500mA@1000VDC	JAC	JF
CHECKED:	GAT	02/08/06	▲	08.31.98	Chg'd Contact Resistance from 30 to 20 milliohm	TF	JF
APPROVED:	JF	02/08/06	▲	02.12.99	Added Logo	TF	JF
			▲	04.17.00	Updated Specifications	RB	JF
			▲	02.03.06	New Index, PN Builder Corrected, UL rating added	GAT	JF

TOLERANCE:	PART NO:	TITLE:
TO 1 DECIMAL PLACE: ±.3	9641-XX-X	MODULAR JACK
TO 2 DECIMAL PLACES: ±.12		

3RD ANGLE	UNIT:	SCALE:	REV:	AS ANGLES:	SHEET:
	mm	2:1	F	±1/2°	1 OF 1