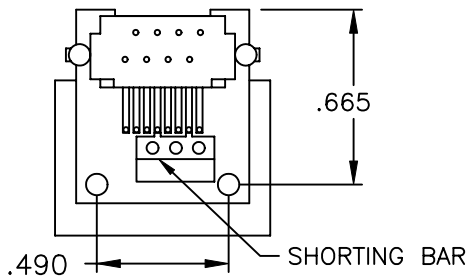
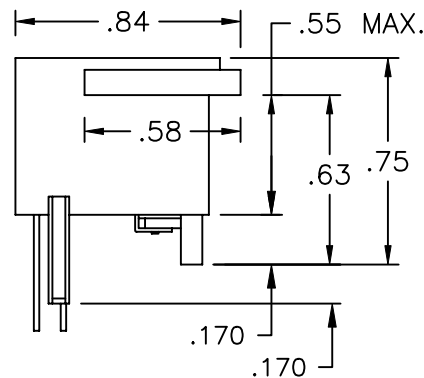
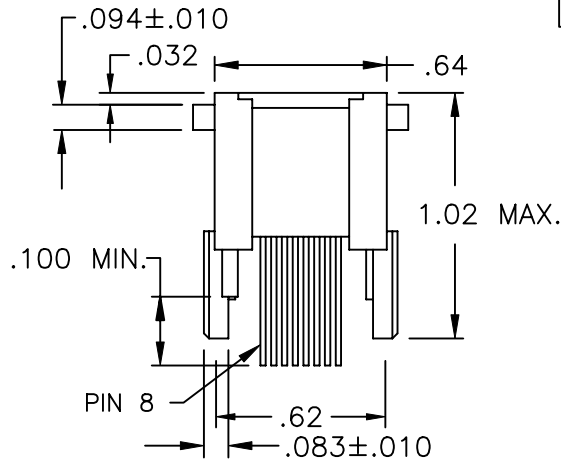
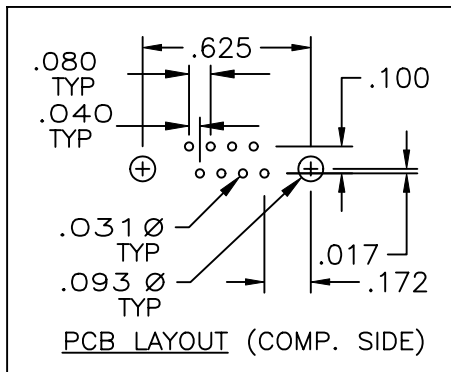
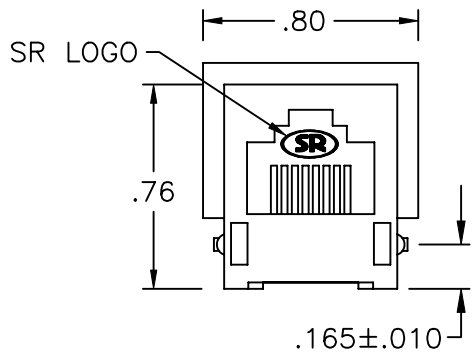


COMPONENT SPECIFICATION

USE OR REPRODUCTION OF THIS DRAWING FOR THE PURPOSE OF MANUFACTURING THIS ARTICLE OR ANY ARTICLES SHOWN FOR ANY PURPOSE IS STRICTLY PROHIBITED WITHOUT WRITTEN PERMISSION FROM SENIOR INDUSTRIES, INC.

SPECIFICATIONS



NOTE:  
SHORTING BARS: PINS 1-4 AND 2-5 WHEN PLUG IS REMOVED.

ELECTRICAL:

CONTACT RATING: 1.5A AT 125 VAC  
CONTACT RESISTANCE: 30 MILLIOHMS MAX.  
INSULATION RESISTANCE: 500 MEGOHMS MIN. AT 500 VDC  
DIELECTRIC STRENGTH: 1000 VRMS FOR 1 MINUTE

MECHANICAL:

LIFE: 750 CYCLES MIN.

ENVIRONMENTAL:

OPERATING TEMPERATURE: 0°C TO 70°C  
STORAGE TEMPERATURE: -40°C TO +85°C

MATERIAL:

HOUSING: GLASS FILLED POLYESTER, UL94V-0  
TERMINALS: PHOSPHOR BRONZE, 0.35t  
PLATING: CONTACT AREA - SELECTIVE GOLD PLATING OVER NICKEL OVER TIN  
TERMINATION AREA - 100 µIN TIN OVER NICKEL  
SHORTING BARS - GOLD OVER 100 µIN NICKEL

PART NUMBER BUILDER:

MODEL	KEYWAY	CONTACTS	PLATING	COLOR
9643S				
BLANK "k" (WITH KEY)				
0 = 8 CONTACTS				
1 = 6 CONTACTS				
2 = 4 CONTACTS				
		1. 15 µIN. Au		1. BLUE
		2. 30 µIN. Au		2. RED
		3. 50 µIN. Au		3. BLACK (STD)
		4. 6 µIN. Au		4. BROWN
		5. 3 µIN. Au		5. GREEN
				6. WHITE
				7. GRAY
				8. ORANGE
				9. YELLOW
				10. VIOLET
				11. IVORY/NEUTRAL



DESIGNED:			SYM.	DATE:	DESCRIPTION OF REVISIONS:	DRAWN:	APPD:	TOLERANCE:	PART NO:	9643S-XX-X
DRAWN:	HV	06/20/98	▲	02.10.99	NEW	TF	JF			
CHECKED:	GAT	02/06/06	▲					AS ANGLES: ±1'	SHEET:	1 OF 1
APPROVED:	JF	02/06/06	▲							
3RD ANGLE		UNIT:	IN	SCALE:	2:1	REV:	B			