

1

2

3

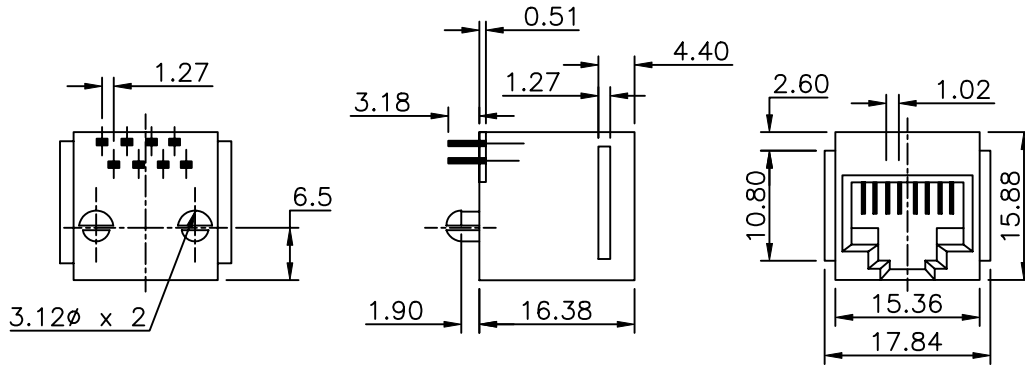
4

5

COMPONENT SPECIFICATION

USE OR REPRODUCTION OF THIS DRAWING FOR THE PURPOSE OF MANUFACTURING THIS ARTICLE OR ANY ARTICLES SHOWN FOR ANY PURPOSE IS STRICTLY PROHIBITED WITHOUT WRITTEN PERMISSION FROM SENIOR INDUSTRIES, INC.

SPECIFICATIONS



ELECTRICAL:

- CONTACT RATING: 1.5A AT 125 VAC
- CONTACT RESISTANCE: 30 MILLIOHMS MAX.
- INSULATION RESISTANCE: 500 MEGOHMS MIN. AT 500 VDC
- DIELECTRIC STRENGTH: 1000 VRMS FOR 1 MINUTE

MECHANICAL:

- LIFE: 750 CYCLES MIN.

ENVIRONMENTAL:

- OPERATING TEMPERATURE: 0°C TO +70°C
- STORAGE TEMPERATURE: -40°C TO +85°C

MATERIAL:

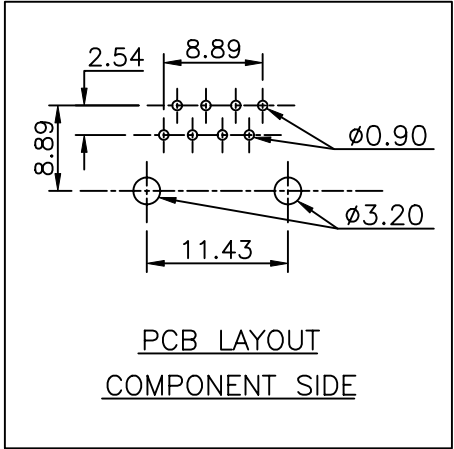
- HOUSING: GLASS FILLED POLYESTER, UL94V-0
- TERMINALS: PHOSPHOR BRONZE, 0.46t
- PLATING: CONTACT AREA - GOLD OVER NICKEL
- TERMINATION AREA - GOLD OVER NICKEL

REGULATORY:

UL RECOGNIZED COMPONENT. UL FILE NO. E147880.

PART NUMBER BUILDER:

MODEL	KEYWAY	CONTACTS	PLATING	COLOR
9648				
BLANK "K" (WITH KEY)		0 = 8 CONTACTS 1 = 6 CONTACTS 2 = 4 CONTACTS	1. 15 μIN. Au 2. 30 μIN. Au 3. 50 μIN. Au 4. 6 μIN. Au 5. 3 μIN. Au	1. BLUE 2. RED 3. BLACK (STD) 4. BROWN 5. GREEN 6. WHITE 7. GRAY 8. ORANGE 9. YELLOW 10. VIOLET 11. IVORY/NEUTRAL



DESIGNED:			SYM.	DATE:	DESCRIPTION OF REVISIONS:	DRAWN:	APPD:	TOLERANCE:	PART NO:	9648-XX-X
DRAWN:	RJT	01/25/01	▲	01.25.01	NEW	RB	JF	TO 1 DECIMAL PLACE: ±.3 TO 2 DECIMAL PLACES: ±.15	TITLE:	MODULAR JACK
CHECKED:	GAT	02/08/06	▲	02.11.02	Dimension changes to match parts received	RB	JF		SHEET:	1 OF 1
APPROVED:	JF	02/08/06	▲	08.12.05	New Index, PN Builder Corrected, UL rating	KO	JF	AS ANGLES:		
<b>3RD ANGLE</b>			UNIT:	mm	SCALE:	2:1	REV:	C		