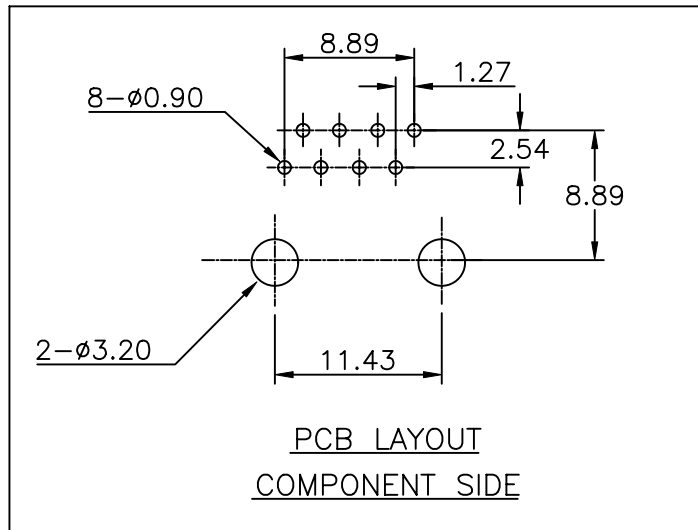
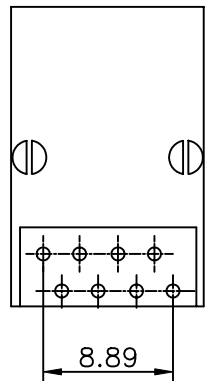
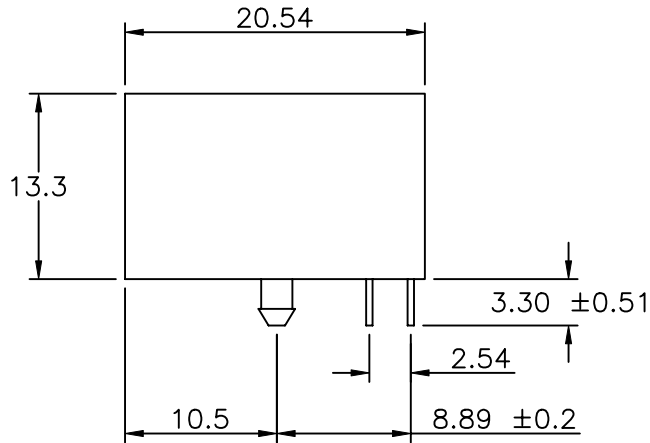
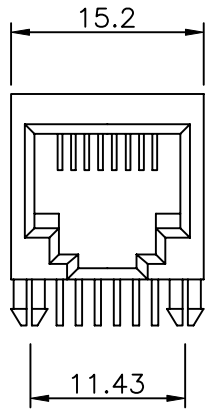


1	2	3	4	5
COMPONENT SPECIFICATION	USE OR REPRODUCTION OF THIS DRAWING FOR THE PURPOSE OF MANUFACTURING THIS ARTICLE OR ANY ARTICLES SHOWN FOR ANY PURPOSE IS STRICTLY PROHIBITED WITHOUT WRITTEN PERMISSION FROM SENIOR INDUSTRIES, INC.			SPECIFICATIONS



**ELECTRICAL:**

CONTACT RATING: 1.5A AT 125 VAC  
 CONTACT RESISTANCE: 30 MILLIOHMS MAX.  
 INSULATION RESISTANCE: 500 MEGOHMS MIN. AT 500 VDC  
 DIELECTRIC STRENGTH: 1000 VRMS FOR 1 MINUTE

**MECHANICAL:**

LIFE: 750 CYCLES MIN.

**ENVIRONMENTAL:**

OPERATING TEMPERATURE: 0°C TO 70°C  
 STORAGE TEMPERATURE: -40°C TO +85°C

**MATERIAL:**

HOUSING: GLASS FILLED POLYESTER, UL94V-0  
 TERMINALS: PHOSPHOR BRONZE, 0.35t  
 PLATING: CONTACT AREA - SELECTIVE GOLD PLATING OVER NICKEL OVER TIN  
 TERMINATION AREA - TIN OVER NICKEL

**REGULATORY:**

UL RECOGNIZED COMPONENT. UL FILE NO. E147880.

**PART NUMBER BUILDER:**

MODEL	KEYWAY	CONTACTS	PLATING	COLOR
9661				
BLANK "K" (WITH KEY)				
0 = 8 CONTACTS 1 = 6 CONTACTS 2 = 4 CONTACTS				
		1. 15 µIN. Au 2. 30 µIN. Au 3. 50 µIN. Au 4. 6 µIN. Au 5. 3 µIN. Au		1. BLUE 2. RED 3. BLACK (STD) 4. BROWN 5. GREEN 6. WHITE 7. GRAY 8. ORANGE 9. YELLOW 10. VIOLET 11. IVORY/NEUTRAL



DESIGNED:			SYM.	DATE:	DESCRIPTION OF REVISIONS:	DRAWN:	APPD:	TOLERANCE:	PART NO:	9661-XX-X
DRAWN:	RB	05/01/01	▲	05.01.01	NEW	RB	TF			
CHECKED:	GAT	02/13/06	▲	07.22.05	New Index, PN Bldr Corr'd, Shorting Notes deleted	KO	JF	AS ANGLES: ±1/2°	SHEET:	1 OF 1
APPROVED:	JF	02/13/06	▲							
<b>3RD ANGLE</b>			UNIT:	mm	SCALE:	2:1	REV:	B		