

COMPONENT SPECIFICATION

USE OR REPRODUCTION OF THIS DRAWING FOR THE PURPOSE OF MANUFACTURING THIS ARTICLE OR ANY ARTICLES SHOWN FOR ANY PURPOSE IS STRICTLY PROHIBITED WITHOUT WRITTEN PERMISSION FROM SENIOR INDUSTRIES, INC.

SPECIFICATIONS

ELECTRICAL:

CONTACT RATING: 1.5A AT 125 VAC
 CONTACT RESISTANCE: 30 MILLIOHMS MAX.
 INSULATION RESISTANCE: 500 MEGOHMS MIN. AT 500 VDC
 DIELECTRIC STRENGTH: 1000 VRMS FOR 1 MINUTE

MECHANICAL:

LIFE: 750 CYCLES MIN.

ENVIRONMENTAL:

PART SHALL WITHSTAND REFLOW SOLDER TEMPERATURE OF 260°C FOR 10 SECONDS
 OPERATING TEMPERATURE: 0°C TO +70°C
 STORAGE TEMPERATURE: -40°C TO +85°C

MATERIAL:

HOUSING: NYLON 4/6, UL94V-0
 TERMINALS: PHOSPHOR BRONZE, 0.35t
 PLATING: CONTACT AREA - GOLD OVER NICKEL
 TERMINATION AREA - 100 μIN TIN OVER NICKEL

REGULATORY:

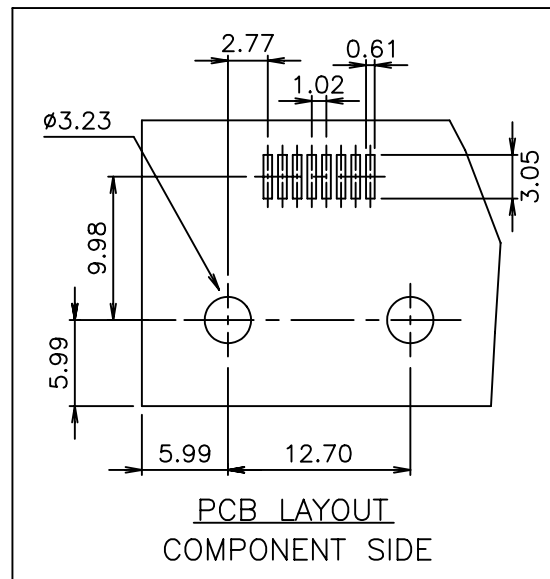
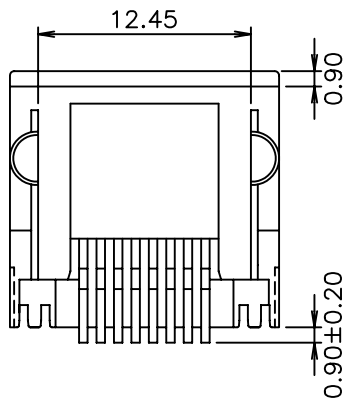
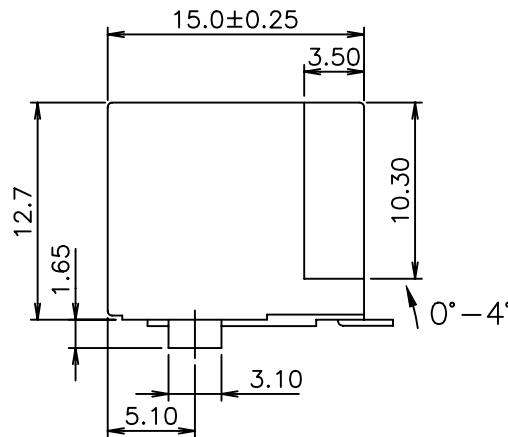
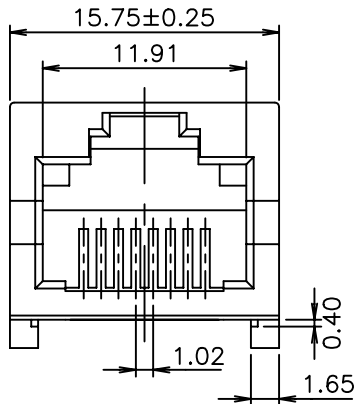
CONFORMS TO FCC RULES AND REGULATIONS PART 68, SUBPART F.

PART NUMBER BUILDER:

MODEL	KEYWAY	CONTACTS	PLATING	COLOR
9674				
BLANK "K" (WITH KEY)				
0 = 8 CONTACTS				1. BLUE
1 = 6 CONTACTS				2. RED
2 = 4 CONTACTS				3. BLACK (STD)
			1. 15 μIN. Au	4. BROWN
			2. 30 μIN. Au	5. GREEN
			3. 50 μIN. Au	6. WHITE
			4. 6 μIN. Au	7. GRAY
			5. 3 μIN. Au	8. ORANGE
				9. YELLOW
				10. VIOLET
				11. IVORY/NEUTRAL



SENIOR INDUSTRIES, INC.



DESIGNED:			SYM.	DATE:	DESCRIPTION OF REVISIONS:	DRAWN:	APPD:
DRAWN:	HV	02/19/03	▲	02.19.03	NEW	RB	JF
CHECKED:	GAT	02/16/06	▲	07.26.05	New Index, PN Builder Corrected	KO	JF
APPROVED:	JF	02/16/06	▲	.	.		
			▲	.	.		

TOLERANCE:	PART NO:	TITLE:
TO 1 DECIMAL PLACE: ±.3	9674-XX-X	MODULAR JACK
TO 2 DECIMAL PLACES: ±.15		

3RD ANGLE		UNIT: mm	SCALE: 2:1	REV: B
-----------	--	----------	------------	--------

AS ANGLES: ±1/2°	SHEET: 1 OF 1
------------------	---------------