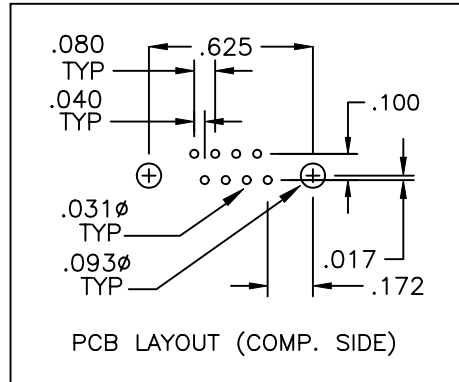
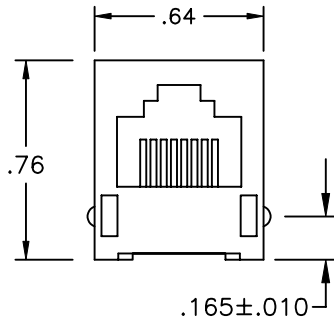


COMPONENT SPECIFICATION

USE OR REPRODUCTION OF THIS DRAWING FOR THE PURPOSE OF MANUFACTURING THIS ARTICLE OR ANY ARTICLES SHOWN FOR ANY PURPOSE IS STRICTLY PROHIBITED WITHOUT WRITTEN PERMISSION FROM SENIOR INDUSTRIES, INC.

SPECIFICATIONS



ELECTRICAL:

CONTACT RATING: 1.5A AT 125 VAC  
 CONTACT RESISTANCE: 30 MILLIOHMS MAX.  
 INSULATION RESISTANCE: 500 MEGOHMS MIN. AT 500 VDC  
 DIELECTRIC STRENGTH: 1000 VRMS FOR 1 MINUTE

MECHANICAL:

LIFE: 750 CYCLES MIN.

ENVIRONMENTAL:

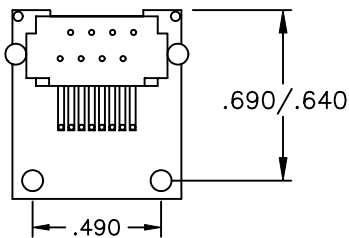
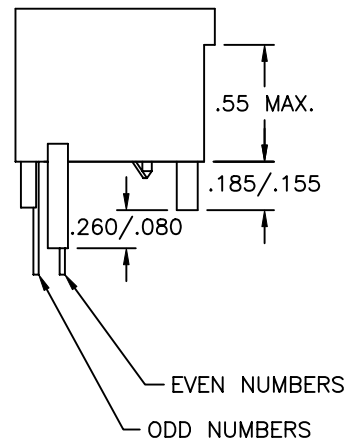
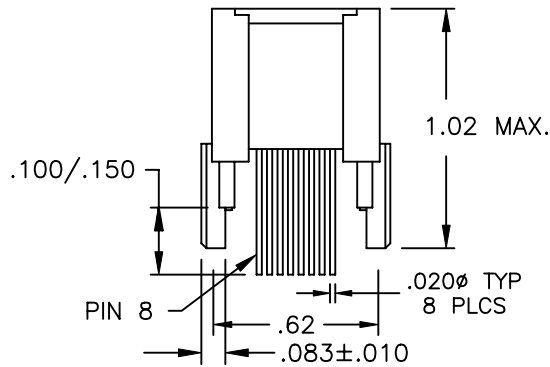
OPERATING TEMPERATURE: 0°C TO 70°C  
 STORAGE TEMPERATURE: -40°C TO +85°C

MATERIAL:

HOUSING: GLASS FILLED POLYESTER, UL94V-0  
 TERMINALS: PHOSPHOR BRONZE, 0.35t  
 PLATING: CONTACT AREA - SELECTIVE GOLD PLATING OVER NICKEL OVER TIN  
 TERMINATION AREA - 100 μIN TIN OVER NICKEL

PART NUMBER BUILDER:

MODEL	KEYWAY	CONTACTS	PLATING	COLOR
9676				
BLANK "k" (WITH KEY)				
0 = 8 CONTACTS 1 = 6 CONTACTS 2 = 4 CONTACTS			1. 15 μIN. Au 2. 30 μIN. Au 3. 50 μIN. Au 4. 6 μIN. Au 5. 3 μIN. Au	1. BLUE 2. RED 3. BLACK (STD) 4. BROWN 5. GREEN 6. WHITE 7. GRAY 8. ORANGE 9. YELLOW 10. VIOLET 11. IVORY/NEUTRAL



DESIGNED:			SYM.	DATE:	DESCRIPTION OF REVISIONS:	DRAWN:	APPD:	TOLERANCE:	PART NO:	9676-XX-X
DRAWN:	RB	11/26/01	▲	11.26.01	NEW	RB	TF	TO 2 DECIMAL PLACE: ±0.01 TO 3 DECIMAL PLACES: ±.005	TITLE:	MODULAR JACK
CHECKED:	GAT	02/16/06	▲	08.16.05	New Index, PN Builder Corrected, Lead rem'd	KO	JF		SHEET:	1 OF 1
APPROVED:	JF	02/16/06	▲							
			▲							
3RD ANGLE			UNIT:	IN	SCALE:	2:1	REV:	B	AS ANGLES:	±1'