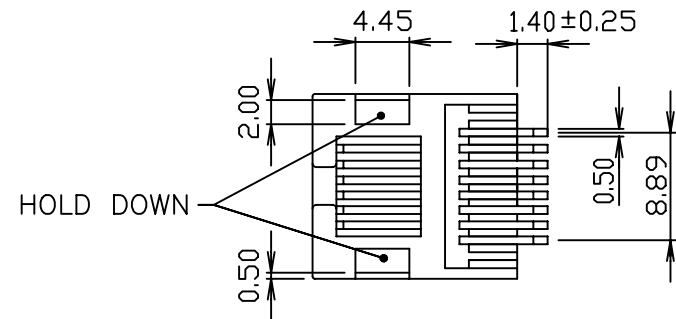
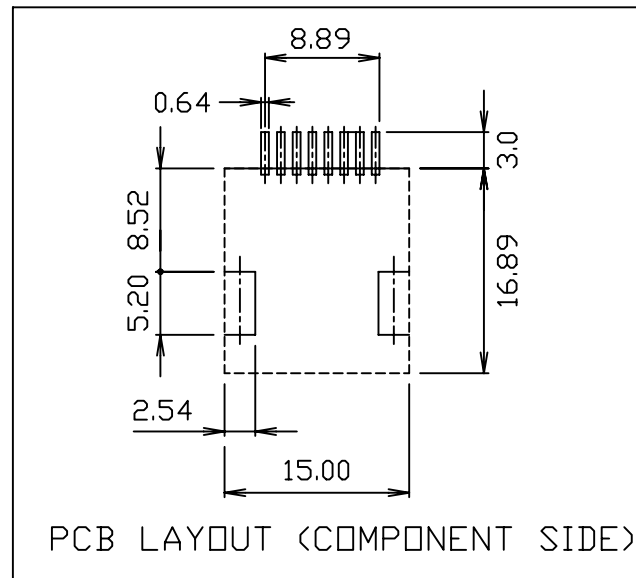
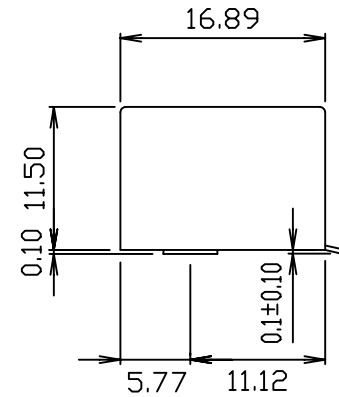
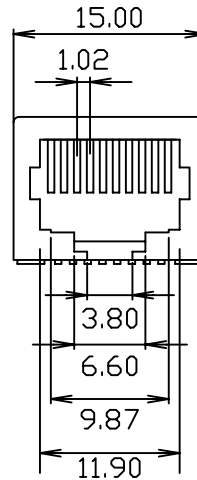
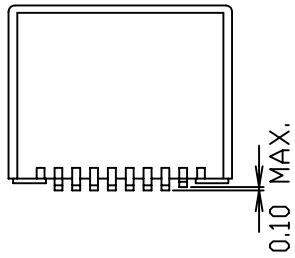


COMPONENT SPECIFICATION

USE OR REPRODUCTION OF THIS DRAWING FOR THE PURPOSE OF MANUFACTURING THIS ARTICLE OR ANY ARTICLES SHOWN FOR ANY PURPOSE IS STRICTLY PROHIBITED WITHOUT WRITTEN PERMISSION FROM SENIOR INDUSTRIES, INC.

COPLANARITY:
THE MAXIMUM DISTANCE
 BETWEEN LOWEST AND
 HIGHEST PIN WHEN
 HOUSING RESTS
 ON A FLAT SURFACE



PART No. 9682-0X-X DEPICTED.



SENIOR INDUSTRIES, INC.

DESIGNED:			SYM.	DATE:	DESCRIPTION OF REVISIONS:	DRAWN:	APPD:	TOLERANCE:	PART NO:	9682-XX-X
DRAWN:	GAT	03/24/03	▲	05.04.04	Corr contact lgth : 2.50 to 1.40 & spacing from 6.35 to 8.89	RB	TF			
CHECKED:	GAT	02/21/06	▲	11.01.04	New Index, shown dim. 11.90 & corr dim 9.87	GAT	TF	TO 2 DECIMAL PLACES: ±.13	SHEET:	1 OF 2
APPROVED:	JF	02/21/06	▲	02.22.05	Packaging Info added	GAT	JF			
			▲	01.05.06	Carrier pitch chgd from 28mm to 32mm.	GAT	JF			
			▲	02.21.06	'Lead' removed from terminal plating area	GAT	JF			
3RD ANGLE		UNIT:	mm	SCALE:	2:1	REV:	F			

COMPONENT SPECIFICATION

USE OR REPRODUCTION OF THIS DRAWING FOR THE PURPOSE OF MANUFACTURING THIS ARTICLE OR ANY ARTICLES SHOWN FOR ANY PURPOSE IS STRICTLY PROHIBITED WITHOUT WRITTEN PERMISSION FROM SENIOR INDUSTRIES, INC.

SPECIFICATIONS

ELECTRICAL:

CONTACT RATING: 1.5A AT 125 VAC
 CONTACT RESISTANCE: 30 MILLIOHMS MAX.
 INSULATION RESISTANCE: 500 MEGOHMS MIN. AT 500 VDC
 DIELECTRIC STRENGTH: 1000 VRMS FOR 1 MINUTE

MECHANICAL:

LIFE: 750 CYCLES MIN.

ENVIRONMENTAL:

OPERATING TEMPERATURE: 0°C TO 70°C
 STORAGE TEMPERATURE: -40°C TO +85°C

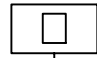
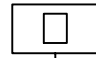
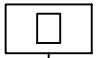
MATERIAL:

HOUSING: NYLON 4/6, UL94V-0
 TERMINALS: PHOSPHOR BRONZE, 0.35t
 PLATING: CONTACT AREA - SELECTIVE GOLD PLATING OVER NICKEL OVER TIN
 TERMINATION AREA - 100 μIN TIN OVER NICKEL
 HOLD DOWN AREA - COPPER ALLOY WITH TIN PLATING

REGULATORY:

CONFORMS TO FCC RULES AND REGULATIONS PART 68, SUBPART F.

PART NUMBER BUILDER:

MODEL	CONTACTS	PLATING	COLOR
9682			
	0 = 8 CONTACTS 1 = 6 CONTACTS 2 = 4 CONTACTS	1. 15 μIN. Au 2. 30 μIN. Au 3. 50 μIN. Au 4. 6 μIN. Au 5. 3 μIN. Au	1 - BLUE 2 - RED 3 - BLACK (STD) 4 - BROWN 5 - GREEN 6 - WHITE 7 - GRAY 8 - ORANGE 9 - YELLOW 10 - VIOLET 11 - IVORY/NEUTRAL

PACKAGING:

PARTS ARE TO BE PACKAGED USING T/R PACKAGING METHOD.

TAPE WIDTH: 44 mm
 CARRIER PITCH: 32 mm
 REEL DIAMETER: 330 mm

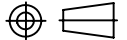
PARTS SHALL BE ORIENTED SO THAT WHEN CARRIER TAPE PAYS OUT OFF THE LEFT SIDE OF REEL, THE OPEN END OF THE MODULAR JACK SHALL FACE LEFT WITH TERMINALS TO THE RIGHT.

THERE SHALL BE 10 EMPTY CAVITIES ON EACH END OF THE REEL.

THERE SHALL BE 200 PCS. PER REEL.



SENIOR INDUSTRIES, INC.

DESIGNED:			SYM:	DATE:	DESCRIPTION OF REVISIONS:	DRAWN:	APPD:	TOLERANCE:	PART NO:	9682-XX-X
DRAWN:	GAT	03/24/03	△	05.04.04	Corr contact lgth : 2.50 to 1.40 & spacing from 6.35 to 8.89	RE	TF			
CHECKED:	GAT	02/21/06	△	11.01.04	New Index, shown dim. 11.90 & corr dim 9.87	GAT	TF	TO 1 DECIMAL PLACE: ±	TITLE:	MODULAR JACK
APPROVED:	JF	02/21/06	△	02.22.05	Packaging Info Added	GAT	JF			
			△	01.05.06	Carrier pitch chgd from 28mm to 32mm.	GAT	JF	TO 2 DECIMAL PLACES: ±	SHEET:	2 OF 2
			△	02.21.06	'Lead' removed from terminal plating area.	GAT	JF			
3RD ANGLE		UNIT:	mm	SCALE:		REV:	F	AS ANGLES:	±	