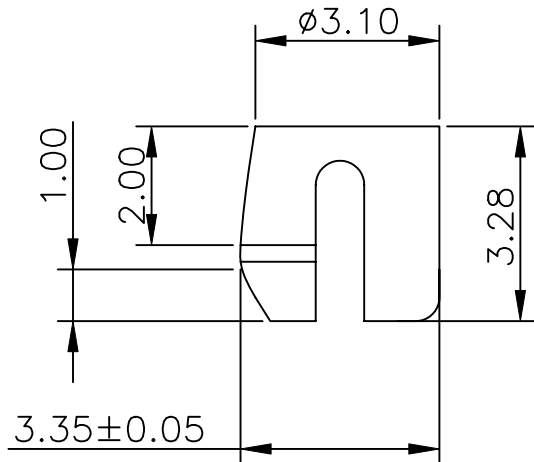
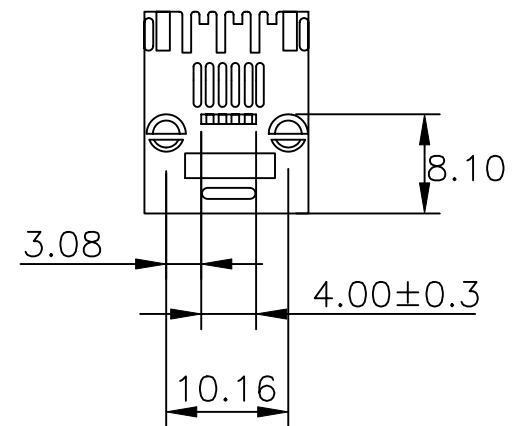
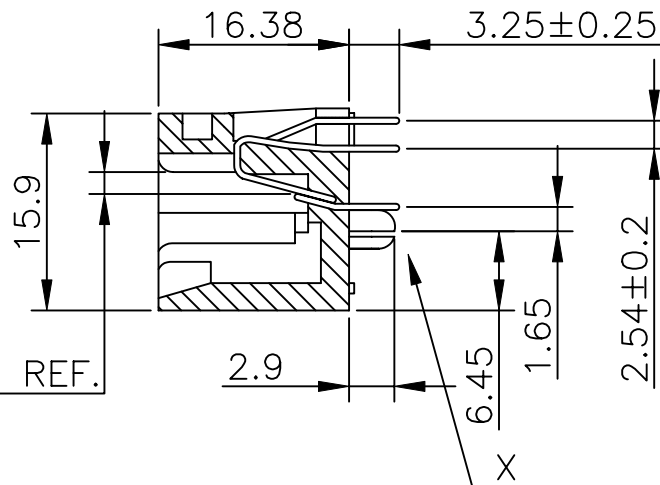
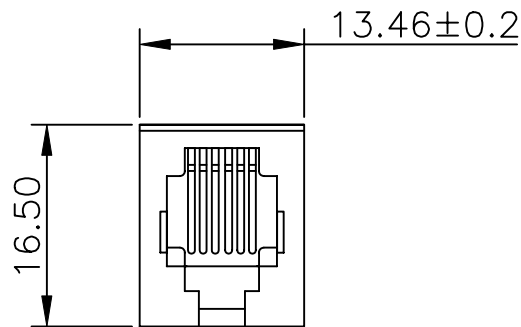
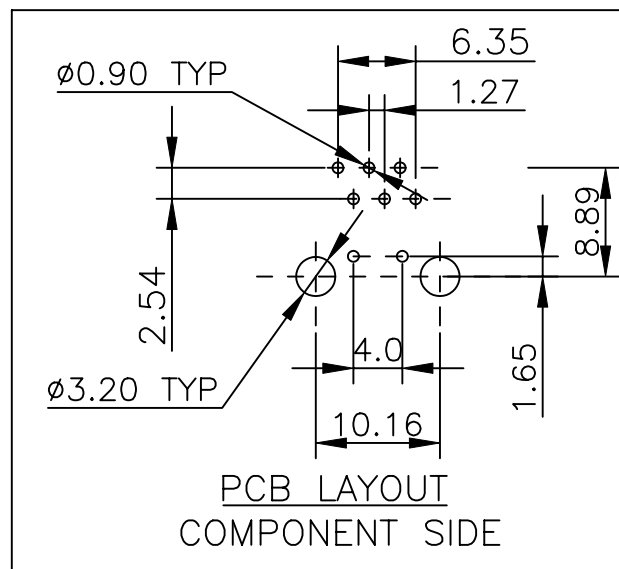


COMPONENT SPECIFICATION

USE OR REPRODUCTION OF THIS DRAWING FOR THE PURPOSE OF MANUFACTURING THIS ARTICLE OR ANY ARTICLES SHOWN FOR ANY PURPOSE IS STRICTLY PROHIBITED WITHOUT WRITTEN PERMISSION FROM SENIOR INDUSTRIES, INC.



DETAIL X



PCB LAYOUT COMPONENT SIDE

RoHS COMPLIANT



**SENIOR INDUSTRIES, INC.**

DESIGNED:			SYM:	DATE:	DESCRIPTION OF REVISIONS:	DRAWN:	APPD:	TOLERANCE:	PART NO:	9684S-XX-X
DRAWN:	GAT	10/20/04	▲	02.25.05	NEW	GAT	JF			
CHECKED:	GAT	01/30/06	▲	01.27.06	'RoHS COMPL.' note added, Process temp. of 260°C added	GAT	JF	AS ANGLES: ±1/2°	SHEET:	1 OF 2
APPROVED:	JF	01/30/06	▲							
3RD ANGLE			UNIT:	mm	SCALE:	1:1	REV:	B		

1

2

3

4

5

COMPONENT SPECIFICATION

USE OR REPRODUCTION OF THIS DRAWING FOR THE PURPOSE OF MANUFACTURING THIS ARTICLE OR ANY ARTICLES SHOWN FOR ANY PURPOSE IS STRICTLY PROHIBITED WITHOUT WRITTEN PERMISSION FROM SENIOR INDUSTRIES, INC.

SPECIFICATIONS

ELECTRICAL:

CONTACT RATING: 1.5A AT 125 VAC
CONTACT RESISTANCE: 30 MILLIOHMS MAX.
INSULATION RESISTANCE: 500 MEGOHMS MIN. AT 500 VDC
DIELECTRIC STRENGTH: 1000 VRMS FOR 1 MINUTE

MECHANICAL:

LIFE: 750 CYCLES MIN.

ENVIRONMENTAL:

OPERATING TEMPERATURE: 0°C TO 70°C
STORAGE TEMPERATURE: -40°C TO +85°C
PART SHALL WITHSTAND WAVE SOLDER TEMPERATURE OF 260°C FOR 5 SECONDS.
CAVITY CONFORMS TO FCC RULES AND REGULATIONS PART 68, SUBPART F.

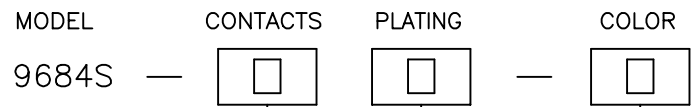
MATERIAL:

HOUSING: PBT, W/GLASS, UL94V-0
CONTACTS: PHOSPHOR BRONZE, GOLD PLATING, ø 0.45mm.

REGULATORY:

UL AND CANADA RECOGNIZED COMPONENT. UL/CUL FILE NO. E147880.

PART NUMBER BUILDER:



0 = 6 CONTACTS
1 = 4 CONTACTS
2 = 2 CONTACTS

1. 15 µIN. Au
2. 30 µIN. Au
3. 50 µIN. Au
4. 6 µIN. Au
5. 3 µIN. Au

1. = BLUE
2. = RED
3. = BLACK (STD)
4. = BROWN
5. = GREEN
6. = WHITE
7. = GRAY
8. = ORANGE
9. = YELLOW
10.= VIOLET
11.= IVORY/NEUTRAL

RoHS COMPLIANT



SENIOR INDUSTRIES, INC.

Table with columns for DESIGNED, DRAWN, CHECKED, APPROVED, SYM, DATE, DESCRIPTION OF REVISIONS, DRAWN, APPD, TOLERANCE, PART NO, TITLE, SHEET, and 3RD ANGLE. Includes revision history and manufacturing details.