

COMPONENT SPECIFICATION

USE OR REPRODUCTION OF THIS DRAWING FOR THE PURPOSE OF MANUFACTURING THIS ARTICLE OR ANY ARTICLES SHOWN FOR ANY PURPOSE IS STRICTLY PROHIBITED WITHOUT WRITTEN PERMISSION FROM SENIOR INDUSTRIES, INC.

SPECIFICATIONS

ELECTRICAL:

CONTACT RATING: 1.5A AT 125 VAC  
 CONTACT RESISTANCE: 30 MILLIOHMS MAX.  
 INSULATION RESISTANCE: 500 MEGOHMS MIN. AT 500 VDC  
 DIELECTRIC STRENGTH: 1000 VRMS FOR 1 MINUTE

MECHANICAL:

LIFE: 750 CYCLES MIN.

ENVIRONMENTAL:

OPERATING TEMPERATURE: 0°C TO 70°C  
 STORAGE TEMPERATURE: -40°C TO +85°C

MATERIAL:

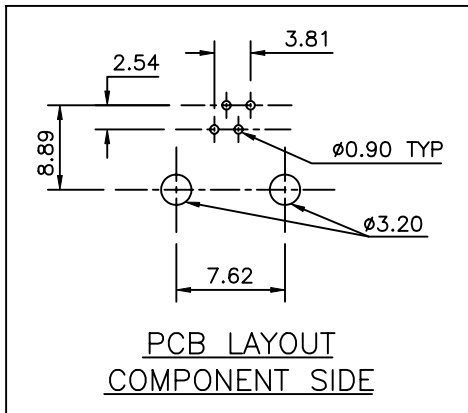
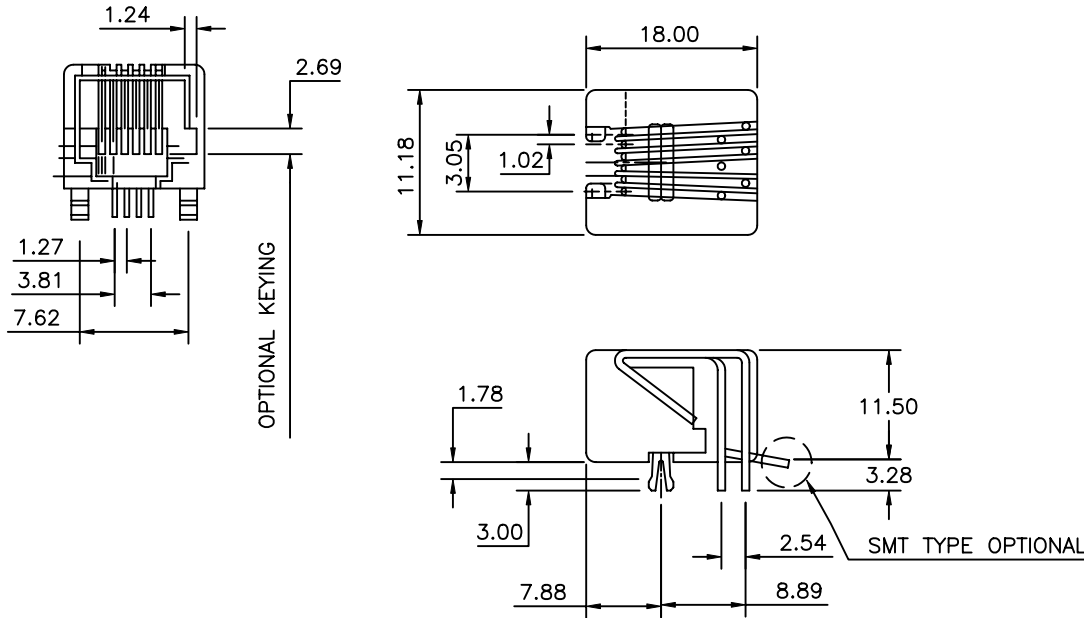
HOUSING: GLASS FILLED NYLON 66, UL94V-0  
 TERMINALS: 0.46mm DIAMETER PHOSPHOR BRONZE  
 PLATING: CONTACT AREA - GOLD OVER NICKEL  
 TERMINATION AREA - 100 µIN. TIN OVER NICKEL

REGULATORY:

UL RECOGNIZED COMPONENT. UL FILE NO. E147880.

PART NUMBER BUILDER:

| MODEL                   | KEYWAY | CONTACTS                         | PLATING | COLOR   |
|-------------------------|--------|----------------------------------|---------|---|
| 9694                    |        |                                  |         |   |
| BLANK<br>"k" (WITH KEY) |        | 0 = 4 CONTACTS<br>1 = 2 CONTACTS |         | 1. BLUE<br>2. RED<br>3. BLACK (STD)<br>4. BROWN<br>5. GREEN<br>6. WHITE<br>7. GRAY<br>8. ORANGE<br>9. YELLOW<br>10. VIOLET<br>11. IVORY/NEUTRAL |



**SENIOR INDUSTRIES, INC.**

| DESIGNED: | DATE:    | DESCRIPTION OF REVISIONS:                     | DRAWN: | APPD: |
|-----------|----------|---|--------|-------|
| RB        | 02.07.01 | NEW   | RB     | JF    |
| JF        | 07.21.05 | New Index, PN Builder Corr'd, Comp Side Added | KO     | JF    |

| TOLERANCE:   | PART NO:  | TITLE:       |
|--|-----------|--------------|
| TO 1 DECIMAL PLACE: ±.3<br>TO 2 DECIMAL PLACES: ±.15 | 9694-XX-X | MODULAR JACK |