

1

2

3

4

5

COMPONENT SPECIFICATION

USE OR REPRODUCTION OF THIS DRAWING FOR THE PURPOSE OF MANUFACTURING THIS ARTICLE OR ANY ARTICLES SHOWN FOR ANY PURPOSE IS STRICTLY PROHIBITED WITHOUT WRITTEN PERMISSION FROM SENIOR INDUSTRIES, INC.

SPECIFICATIONS

ELECTRICAL:

CONTACT RATING: 1.5A AT 125 VAC
CONTACT RESISTANCE: 30 MILLIOHMS MAX.
INSULATION RESISTANCE: 500 MEGOHMS MIN. AT 500 VDC
DIELECTRIC STRENGTH: 1000 VRMS FOR 1 MINUTE

MECHANICAL:

LIFE: 750 CYCLES MIN.

ENVIRONMENTAL:

OPERATING TEMPERATURE: 0°C TO +70°C
STORAGE TEMPERATURE: -40°C TO +85°C

MATERIAL:

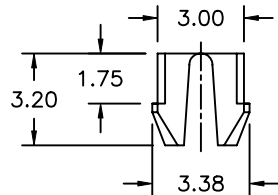
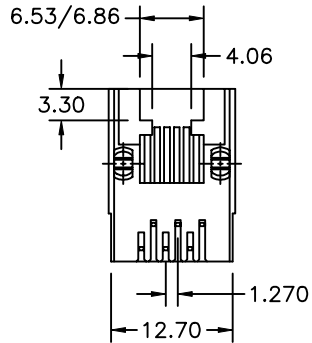
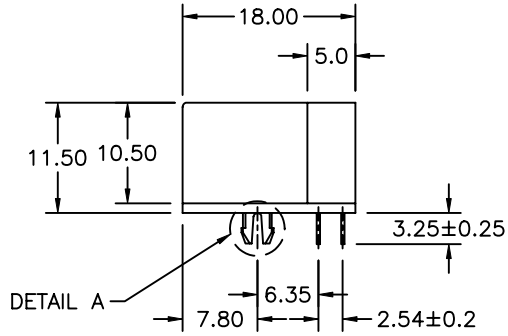
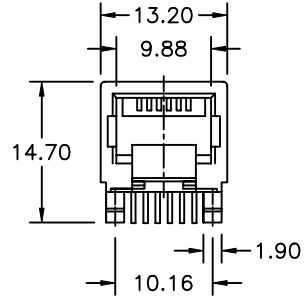
HOUSING: GLASS FILLED PBT POLYESTER, UL94V-0
CONTACTS: 0.35mm THICK PHOSPHOR BRONZE GOLD PLATED
TERMINALS: 0.35mm THICK PHOSPHOR BRONZE GOLD FLASH

REGULATORY:

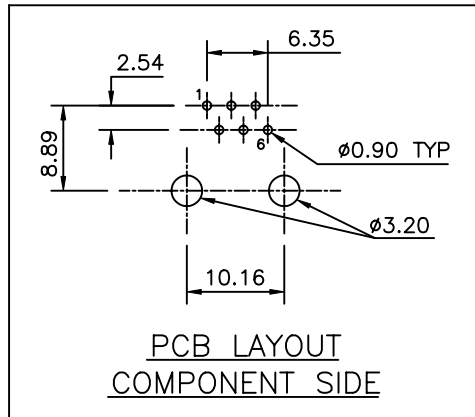
UL RECOGNIZED COMPONENT. UL FILE NO. E147880.

PART NUMBER BUILDER:

MODEL KEYWAY CONTACTS PLATING COLOR
9696 [diagram] [diagram] [diagram] [diagram]
BLANK "K" (WITH KEY)
0 = 6 CONTACTS
1 = 4 CONTACTS
2 = 2 CONTACTS
1. 15 μIN. Au
2. 30 μIN. Au
3. 50 μIN. Au
4. 6 μIN. Au
5. 3 μIN. Au
1. BLUE
2. RED
3. BLACK (STD)
4. BROWN
5. GREEN
6. WHITE
7. GRAY
8. ORANGE
9. YELLOW
10. VIOLET
11. IVORY/NEUTRAL



DETAIL A SCALE 3:1



PCB LAYOUT COMPONENT SIDE



Table with columns: DESIGNED, DRAWN, CHECKED, APPROVED, SYM., DATE, DESCRIPTION OF REVISIONS, DRAWN, APPD, TOLERANCE, PART NO, TITLE, SHEET. Includes revision history and manufacturing specifications.