

COMPONENT SPECIFICATION

USE OR REPRODUCTION OF THIS DRAWING FOR THE PURPOSE OF MANUFACTURING THIS ARTICLE OR ANY ARTICLES SHOWN FOR ANY PURPOSE IS STRICTLY PROHIBITED WITHOUT WRITTEN PERMISSION FROM SENIOR INDUSTRIES, INC.

SPECIFICATIONS

ELECTRICAL:

CONTACT RATING: 1.5A AT 125 VAC
 CONTACT RESISTANCE: 30 MILLIOHMS MAX.
 INSULATION RESISTANCE: 500 MEGOHMS MIN. AT 500 VDC
 DIELECTRIC STRENGTH: 1000 VRMS FOR 1 MINUTE

MECHANICAL:

LIFE: 750 CYCLES MIN.

ENVIRONMENTAL:

OPERATING TEMPERATURE: 0°C TO +70°C
 STORAGE TEMPERATURE: -40°C TO +85°C

MATERIAL:

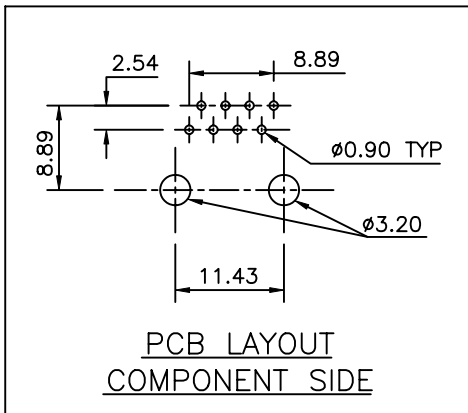
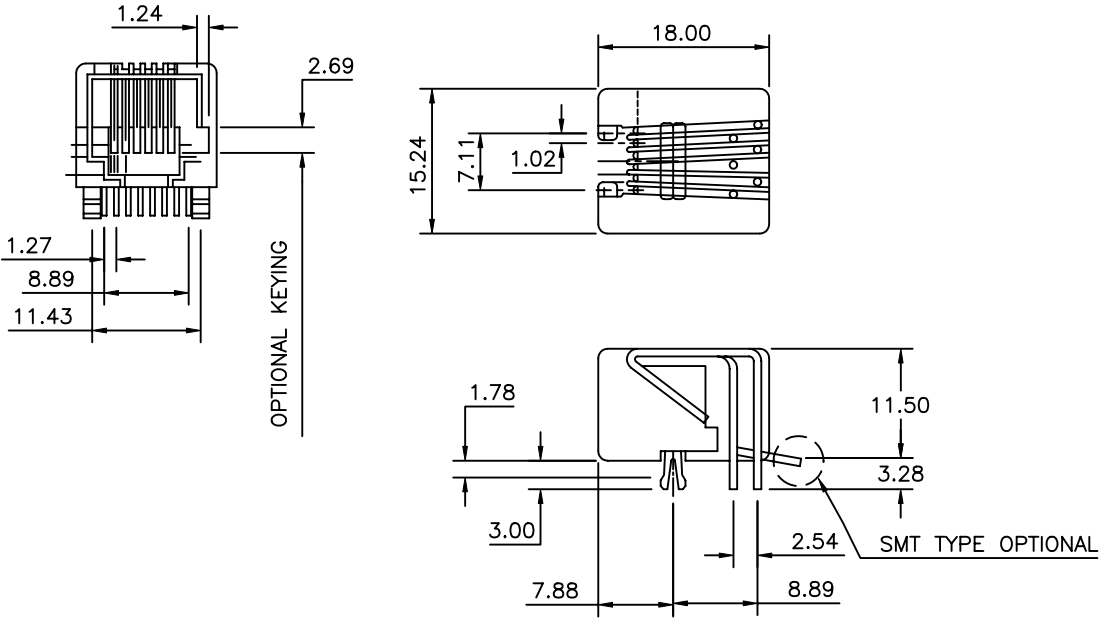
HOUSING: GLASS FILLED POLYESTER, UL94V-0
 TERMINALS: 0.46mm DIAMETER PHOSPHOR BRONZE
 PLATING: CONTACT AREA - SELECTIVE GOLD OVER NICKEL OVER TIN
 TERMINATION AREA - 100 µIN. TIN OVER NICKEL

REGULATORY:

UL RECOGNIZED COMPONENT. UL FILE NO. E147880.

PART NUMBER BUILDER:

MODEL	KEYWAY	CONTACTS	PLATING	COLOR
9698				
BLANK "k" (WITH KEY)				
0 = 8 CONTACTS 1 = 6 CONTACTS 2 = 4 CONTACTS				
		1. 15 µIN. Au 2. 30 µIN. Au 3. 50 µIN. Au 4. 6 µIN. Au 5. 3 µIN. Au		1. BLUE 2. RED 3. BLACK (STD) 4. BROWN 5. GREEN 6. WHITE 7. GRAY 8. ORANGE 9. YELLOW 10. VIOLET 11. IVORY/NEUTRAL



SENIOR INDUSTRIES, INC.

DESIGNED:	DATE:	DESCRIPTION OF REVISIONS:	DRAWN:	APPD:
RJT	02/07/01	NEW	RB	JF
GAT	02/22/06	New Index, PN Builder Corr'd, Comp Side Added	KO	JF
JF	02/22/06			

TOLERANCE:	PART NO:	TITLE:
TO 1 DECIMAL PLACE: ±.3 TO 2 DECIMAL PLACES: ±.15	9698-XX-X	MODULAR JACK