

COMPONENT SPECIFICATION

USE OR REPRODUCTION OF THIS DRAWING FOR THE PURPOSE OF MANUFACTURING THIS ARTICLE OR ANY ARTICLES SHOWN FOR ANY PURPOSE IS STRICTLY PROHIBITED WITHOUT WRITTEN PERMISSION FROM SENIOR INDUSTRIES, INC.

SPECIFICATIONS

ELECTRICAL

CONTACT RATING: 1.5A AT 125 VAC
 CONTACT RESISTANCE: 20 MILLIOHMS MAX.
 INSULATION RESISTANCE: 1000 MEGOHMS MIN. AT 500 VDC
 DIELECTRIC STRENGTH: 1000 VRMS FOR 1 MINUTE

MECHANICAL

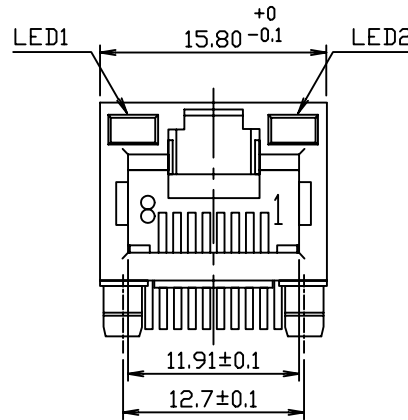
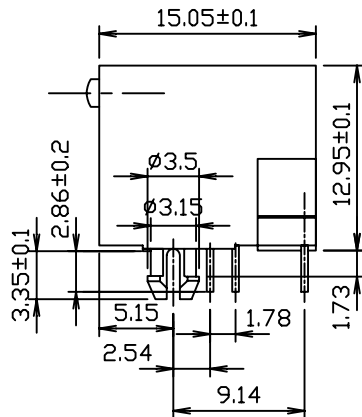
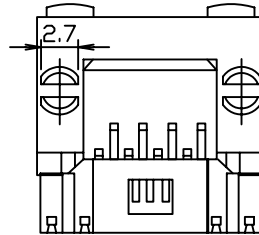
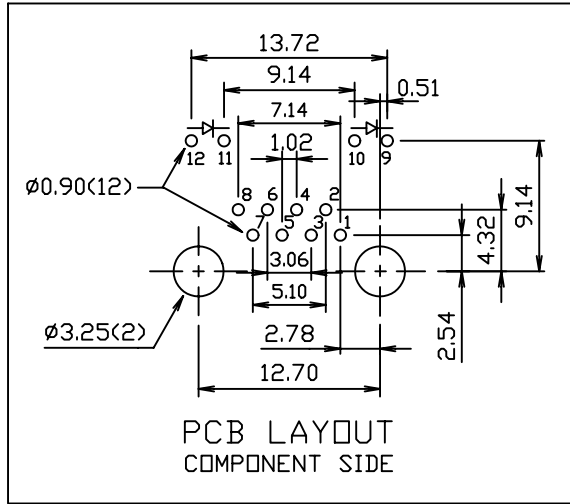
LIFE: 750 CYCLES MIN.

ENVIRONMENTAL

OPERATING TEMPERATURE: 0°C TO 70°C
 STORAGE TEMPERATURE: -40°C TO +85°C

MATERIAL

HOUSING: PBT, UL94V-0, BLACK
 INSERT: PBT, UL94V-0, BLACK
 BACK COVER: PBT, UL94V-0, BLACK
 TERMINALS: T0.36xW0.46 PHOSPHOR BRONZE
 LED COLOR - SEE OPTIONS
 PLATING: CONTACT AREA - SELECTIVE GOLD PLATING
 TERMINATION AREA - TIN OVER NICKEL



PART NUMBER BUILDER:

MODEL CONTACTS PLATING LED COLOR

9699A — [] [] — []

0 = 8 CONTACTS
 1 = 6 CONTACTS
 2 = 4 CONTACTS

1. 15 JIN. Au
 2. 30 JIN. Au
 3. 50 JIN. Au
 4. 6 JIN. Au
 5. 3 JIN. Au

BLANK - NO LED
 1 - LED1 = GREEN,
 LED2 = YELLOW
 2 - LED1 = GREEN,
 LED2 = GREEN
 3 - LED1 = YELLOW,
 LED2 = GREEN

RoHS COMPLIANT



SENIOR INDUSTRIES, INC.

DESIGNED:			SYM.	DATE:	DESCRIPTION OF REVISIONS:	DRAWN:	APPD:	TOLERANCE:	PART NO:	9699A-XX-X
DRAWN:	GAT	03/31/08	▲	04.01.08	NEW	GAT	JF	TO 1 DECIMAL PLACE: ±.25 TO 2 DECIMAL PLACES: ±.13	TITLE:	MODULAR JACK
CHECKED:	GAT	04/07/08	▲	04.07.08	Added:RoHS,11.91±0.1,tol on15.80,12.7;ø.90 on PCB	GAT	JF		SHEET:	1 OF 1
APPROVED:	JF	04/07/08	▲					AS ANGLES:	±1/2°	
1ST ANGLE	UNIT: mm		SCALE:	1:1	REV:	B				