

COMPONENT SPECIFICATION

USE OR REPRODUCTION OF THIS DRAWING FOR THE PURPOSE OF MANUFACTURING THIS ARTICLE OR ANY ARTICLES SHOWN FOR ANY PURPOSE IS STRICTLY PROHIBITED WITHOUT WRITTEN PERMISSION FROM SENIOR INDUSTRIES, INC.

SPECIFICATIONS

ELECTRICAL:

CONTACT RATING: 1.5A @ 125 VAC
 CONTACT RESISTANCE: 30 MILLIOHMS MAX.
 INSULATION RESISTANCE: 500 MEGOHMS MIN. @ 500 VDC
 DIELECTRIC STRENGTH: 1000 VRMS FOR 1 MINUTE
 LED RATINGS: FORWARD VOLTAGE: 2.2 VOLTS TYPICAL
 REVERSE VOLTAGE: 5 VOLTS MINIMUM

MECHANICAL:

LIFE: 750 CYCLES MIN.

ENVIRONMENTAL:

STORAGE TEMPERATURE: 0°C TO +70°C
 OPERATING TEMPERATURE: -40°C TO +85°C

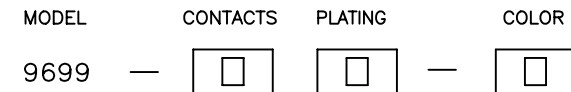
MATERIAL:

HOUSING: DSM STANYL TE250F6 (NYLON-46), BLACK COLOR, UL94V-0
 HEAT DEFLECTION TEMP. 290°
 INSERT: GLASS FILLED POLYESTER, UL94V-0
 LENS: PC, UL94V-0, CLEAR
 TERMINALS: 0.35mm THICK PHOSPHOR BRONZE
 PLATING: CONTACT AREA - SELECTIVE GOLD PLATING
 TERMINATION AREA - TIN PLATING OVER NICKEL

REGULATORY:

CONFORMS TO FCC RULES AND REGULATIONS PART 68, SUBPART F.

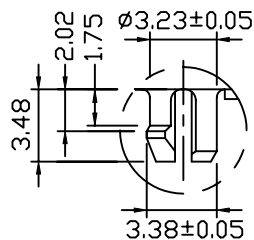
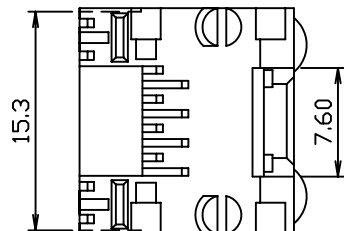
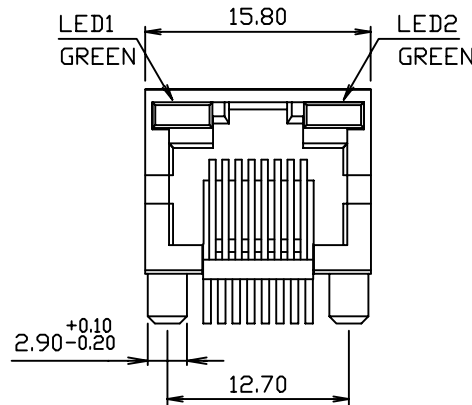
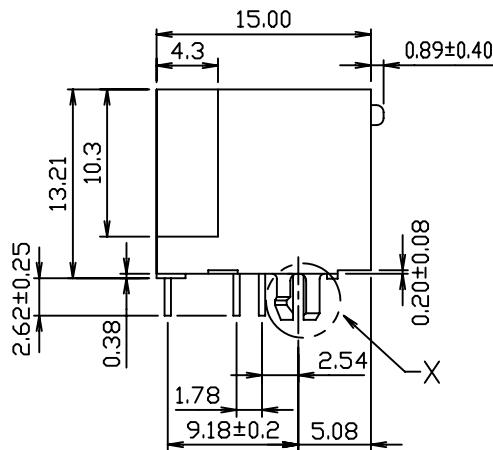
PART NUMBER BUILDER:



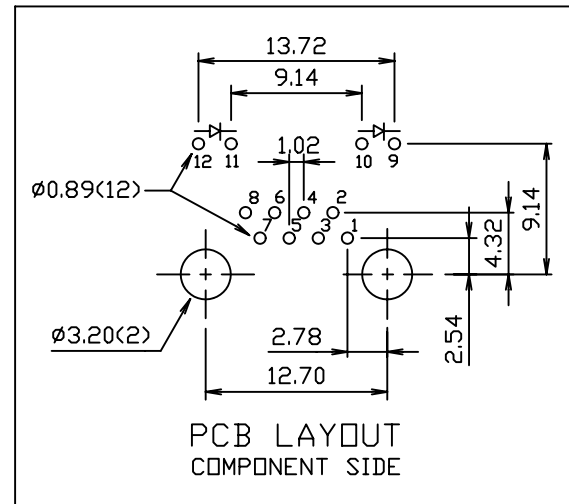
0 = 8 CONTACTS
 1 = 6 CONTACTS
 2 = 4 CONTACTS

1. 15 JIN. Au
 2. 30 JIN. Au
 3. 50 JIN. Au
 4. 6 JIN. Au
 5. 3 JIN. Au

1. BLUE
 2. RED
 3. BLACK (STD)
 4. BROWN
 5. GREEN
 6. WHITE
 7. GRAY
 8. ORANGE
 9. YELLOW
 10. VIOLET
 11. IVORY/NEUTRAL



DETAIL X



SENIOR INDUSTRIES, INC.

DESIGNED:		SYM.	DATE:	DESCRIPTION OF REVISIONS:	DRAWN:	APPD:
DRAWN:	GAT	06/30/06	▲ 06.30.06	NEW	GAT	JF
CHECKED:	GAT	12/06/06	▲ 12.06.06	Corrected Contacts plating & insul resist	GAT	JF
APPROVED:	JF	12/07/06	▲			

TOLERANCE:

TO 1 DECIMAL PLACE: ±.25

TO 2 DECIMAL PLACES: ±.13

AS ANGLES: ±1/2°

PART NO:

9699-XX-X

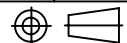
TITLE:

MODULAR JACK

SHEET:

1 OF 1

3RD ANGLE



UNIT:

mm

SCALE:

1:1

REV:

B