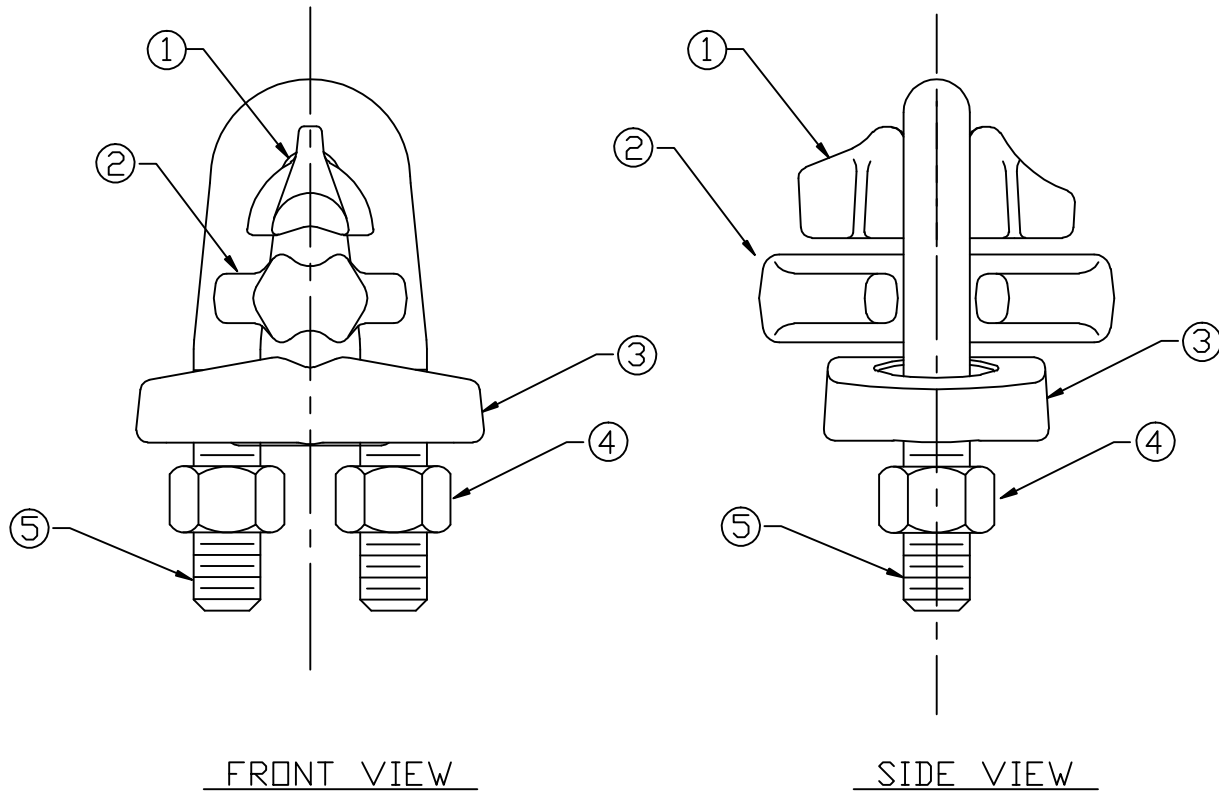


ITEM #	PART #	CATALOG #	DESCRIPTION	QTY	DWG
1	P64586	>GC-67-C	GC-67 CAP	1	PA-439
2	P64587	>GC-67-M	GC-67 MIDDLE	1	PA-439M
3	P64425	>AE-155-C	AE-155 CAP	1	PA-1276
4	P56137	H-0400-04	1/2" HEX NUT	2	HA-400
5	P64054	M-375-1	1/2" VEE BOLT	1	MA-375



FRONT VIEW

SIDE VIEW

PROPRIETARY

This information is confidential and is the property of Continental Electric Company, a Corporation. It is for the use of customers only and may not be made public, distributed or loaned to others, or any part reproduced without the written consent of Continental Electric Co. except that the customer may make copies for use solely in the installation, maintenance, and operation of products supplied by Continental Electric Company.



MACLEAN POWER SYSTEMS
A Maclean-fogg Company

CATALOG NUMBER: GC-67C
UNIVERSAL GUY CLAMP
ASSEMBLY DRAWING

NO.	DATE	DESCRIPTION	BY
1	6/13/05	REDRAWN IN CAD / HDW LIST ADDED	MW

DATE: 10/28/85	SCALE: NONE	NO. CEA-1009	R/1	SH.1 OF 1
BY: AH	CHKD. BY:	APR. BY:		