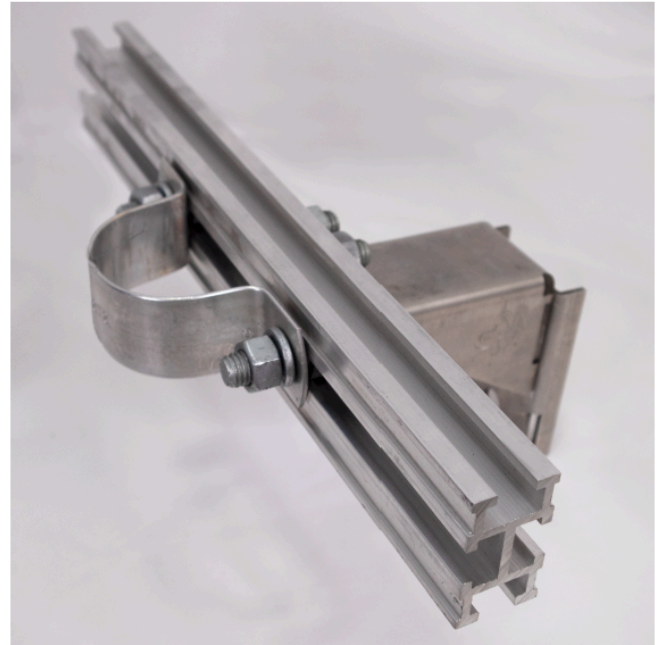


# CONDUIT STANDOFF BRACKET

CATALOG #: SI-6CSO SERIES

The Maclean Conduit Standoff Bracket offers the industry a lightweight, non-corrosive aluminum, highly versatile equipment mount for supporting single or multiple conduit pipe sizes.

This revolutionary bracket is a single piece design (as opposed to multiple pieces) and offers the ability to be pole mounted by means of bolts or banding.



## Application

A multi-purpose bracket for mounting 1" through 6" conduit in a variety of applications.



## Features

- Bracket
  - » Lightweight non-corrosive aluminum material
  - » Bolt to pole option
    - Keyway for 5/8" thru bolt and hole for 1/2" lag screw (bolt and screw not included)
  - » Band to pole option
    - Use large slot for single 1.25" banding, or dual slots for smaller .75" banding (banding not included)
- 4-way T-slot profile
  - » Lightweight non-corrosive aluminum extrusion
  - » Maximum installation versatility



## Options

- Conduit Strap kits come equipped with a pair of:
  - » 1 1/4" x 1/2" hex bolts
  - » 1/2" hex nuts
  - » 1/2" lock washers

# SIMPLE COST EFFICIENT DESIGN



Visit [macleannetworksolutions.com](http://macleannetworksolutions.com)  
or scan code for more information

 is now known as

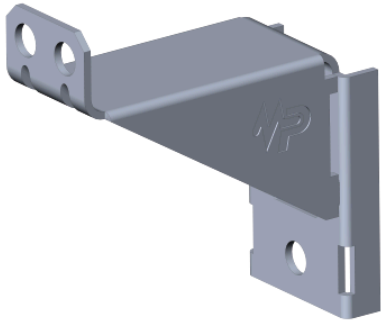
**MacLean**<sup>™</sup>  
NETWORK SOLUTIONS

**MacLean Network Solutions**  
610 Pond Drive, Wood Dale, IL 60191  
Phone: 800-350-1650  
Email: [Sales@MacLeanSenior.com](mailto:Sales@MacLeanSenior.com) • [www.macleannetworksolutions.com](http://www.macleannetworksolutions.com)

© MacLean Network Solutions All rights reserved.

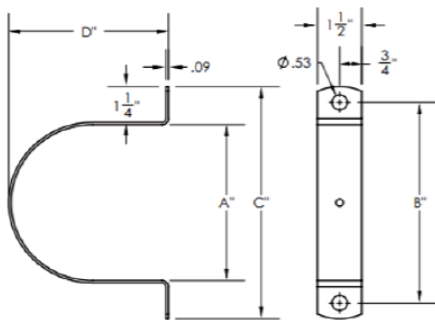


## Ordering Information



### Bracket Assembly

Catalog Number	Stand Off	T-Slot Profile	T-Slot Length
SI-6CSO	6	none	none
SI-6CSO-6-4WT	6	4 way	6
SI-6CSO-12-4WT	6	4 way	12
SI-6CSO-18-4WT	6	4 way	18
SI-6CSO-24-4WT	6	4 way	24
SI-6CSO-30-4WT	6	4 way	30
SI-6CSO-36-4WT	6	4 way	36



### Optional Straps (with hardware)

Catalog Number	Conduit Size	Description	A (IN)	B (IN)	C (IN)	D (IN)
MSTK-2	2"	with hardware	2.38	3.97	5.09	2.25
MSTK-2.5	2.5"	with hardware	2.88	4.47	5.59	2.75
MSTK-3	3"	with hardware	3.5	5.09	6.22	3.38
MSTK-3.5	3.5"	with hardware	4	5.59	6.72	3.88
MSTK-4	4"	with hardware	4.5	6.09	7.22	4.38
MSTK-5	5"	with hardware	5.56	7.16	8.28	5.44
MSTK-6	6"	with hardware	6.63	8.22	9.34	6.5

(Hardware includes bolts, nuts & lock washers)

### 4 WAY T-SLOT

» Effectively captures and holds the head of a 1/2" hex bolt



### Extrusion (sold by itself)

Catalog Number	Description
4WT6	6" 4 way T-slot
4WT12	12" 4 way T-slot
4WT18	18" 4 way T-slot
4WT24	24" 4 way T-slot
4WT30	30" 4 way T-slot
4WT36	36" 4 way T-slot