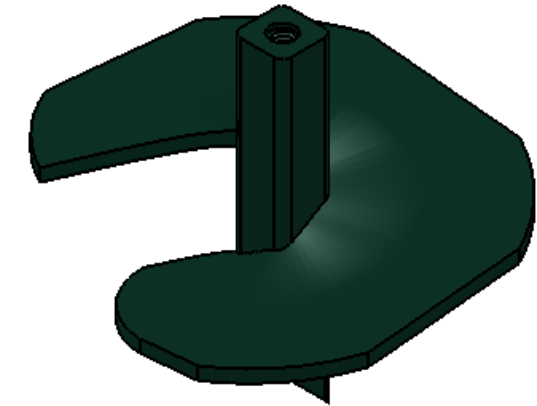
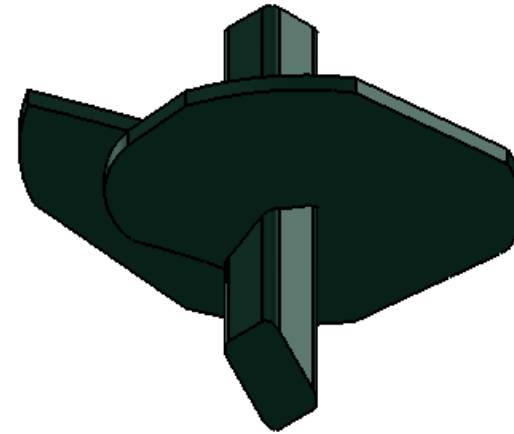
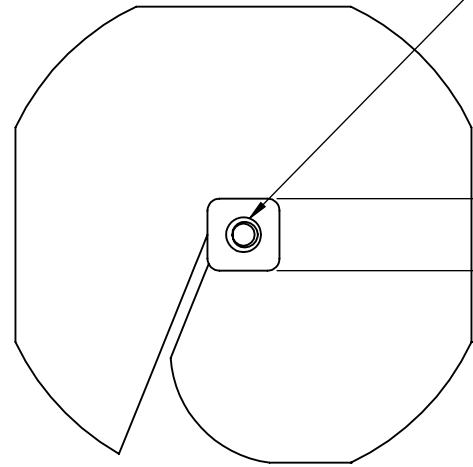


PAPER SIZE	CATALOG NUMBER
B	D1102

DRILLED AND TAPPED FOR 5/8" POWER HUB ANCHOR ROD

1.50in [4cm]

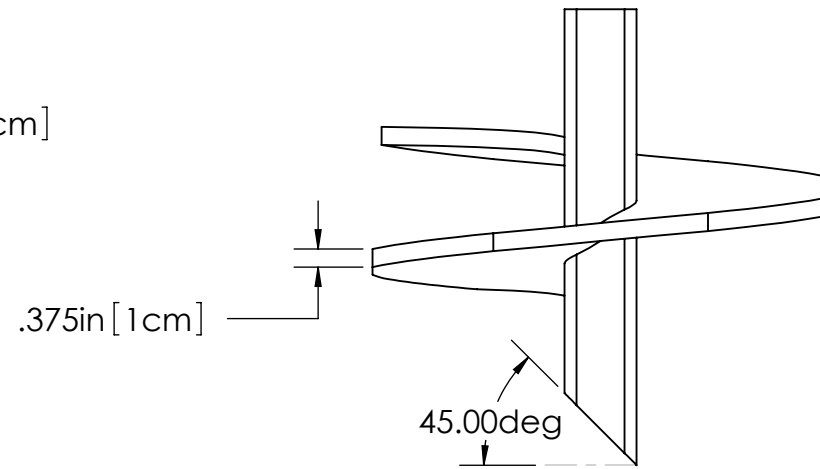
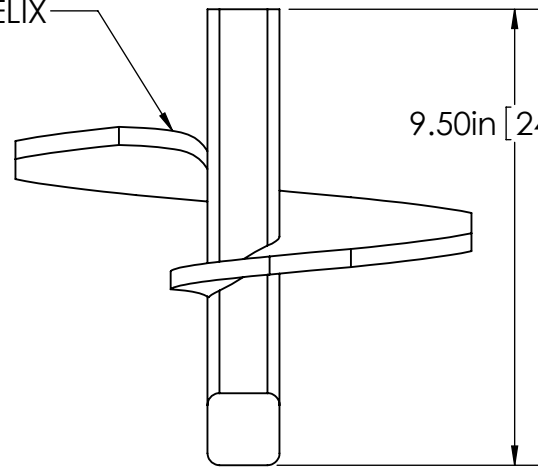


10in [25cm] HELIX

9.50in [24cm]

.375in [1cm]

45.00deg



NOTES:

1. PAINT DARK GREEN AFTER FABRICATION.
2. ANCHOR IS RATED AT 5,500 FT-LBS (7,457 Nm) INSTALLATION TORQUE.
3. 3in [7.5cm] HELIX PITCH.

This drawing contains confidential information that is the property of MacLean Power, L.L.C. ("MacLean"). Use of MacLean's confidential information without MacLean's express written consent is strictly prohibited and may expose you to legal liability. If you believe that you received this material in error, please destroy it or return it to "MacLean Power, L.L.C., 11411 Addison Street, Franklin Park, Illinois 60131, "USA."



DRAWING NUMBER: D1102	
SHEET NAME: SHEET1	1 OF 1
PRODUCT DESCRIPTION 1-1/2" SOLID SQUARE POWER HUB ANCHOR	
DRAWN BY: CRL	DATE: 3/12/12