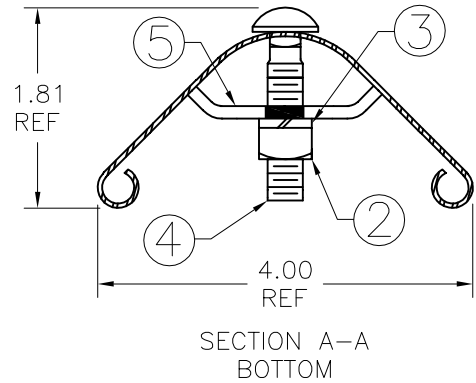
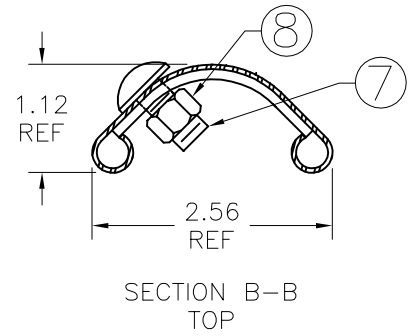
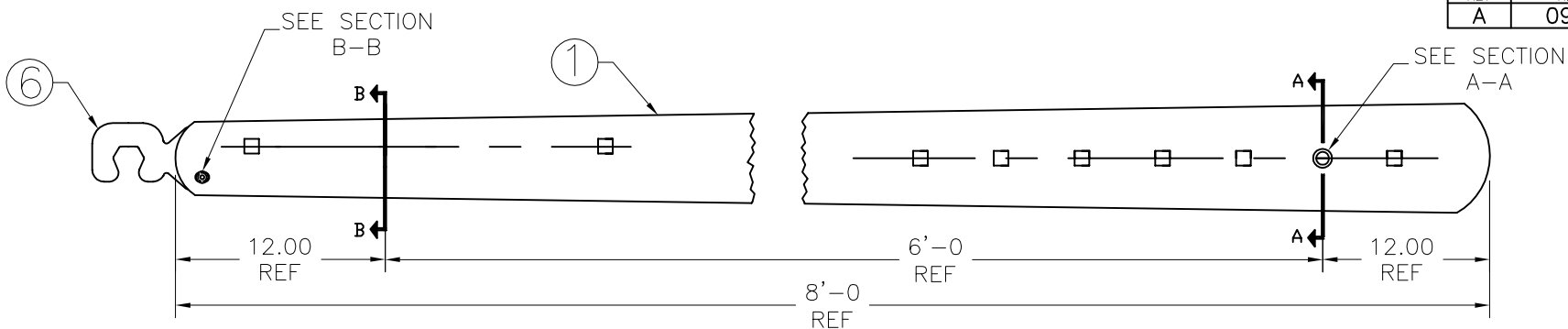


PAPER SIZE	DRAWING NUMBER	
B SIZE	GD-J1448	
REV	REVISION DATE	ECO
A	09-23-09	9733



ITEM	QUANTITY	DESCRIPTION
1	1	TAPERED GUY GUARD BODY
2	1	.50 REGULAR SQUARE NUT
3	1	.50 SPRING LOCK WASHER
4	1	.50 X 2.50 CARRIAGE BOLT
5	1	BOTTOM CLAMP SECTION
6	1	GUY GUARD HOOK
7	1	.25 X .50 CARRIAGE BOLT
8	1	.25 REGULAR HEX NUT

NOTES:
 1) ALL DIMENSIONS ARE REFERENCE AND ARE IN INCHES.
 2) HOT DIP GALVANIZED.

CATALOG NUMBER J1448

This drawing contains confidential information that is the property of MacLean Power, L.L.C. ("MacLean"). Use of MacLean's confidential information without MacLean's express written consent is strictly prohibited and may expose you to legal liability. If you believe that you received this material in error, please destroy it or return it to "MacLean Power, L.L.C., 11411 Addison, Franklin Park, Illinois 60131, USA."

F102541

DRAWING-COMPUTER LOCATION

TOLERANCES UNLESS SPECIFIED	
inch	
0.XX	— — —
0.XXX	— — —
ANGLE	— — —



11411 ADDISON STREET
FRANKLIN PARK, IL 60131

DRAWN BY	ENGINEER	CHECKER	CATALOG #	SCALE	DESIGN DATE
RC	DEK	FJS	J1448	---	09-23-09
DRAWING TITLE / DESCRIPTION					DRAWING NUMBER
TAPERED GUY GUARD ASSEMBLY WITH HOOK					GD-J1448