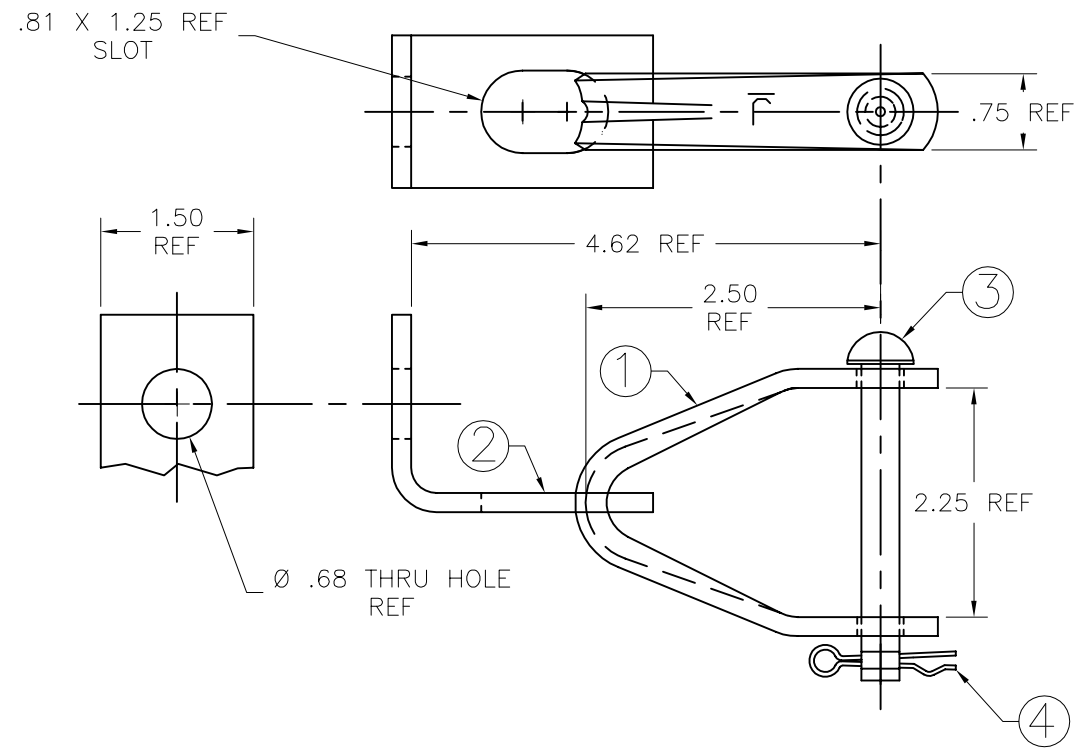


PAPER SIZE	DRAWING NUMBER	
B SIZE	GD-J1626	
REV	REVISION DATE	ECO
A	09-23-09	9663



ITEM	QUANTITY	DESCRIPTION
1	1	3/16 SWINGING INSULATOR CLEVIS BODY
2	1	3/16 SWINGING INSULATOR MTG. BRACKET
3	1	3/8 X 3 1/8 BUTTOM HEAD BOLT
4	1	SELF LOCKING COTTER PIN

NOTES:
 1) ALL ITEMS HOT DIP GALVANIZED EXCEPT ITEM ④
 2) ALL DIMENSIONS ARE REFERENCE AND IN INCHES.

CATALOG NUMBER J1626

This drawing contains confidential information that is the property of MacLean Power, L.L.C. ("MacLean"). Use of MacLean's confidential information without MacLean's express written consent is strictly prohibited and may expose you to legal liability. If you believe that you received this material in error, please destroy it or return it to "MacLean Power, L.L.C., 11411 Addison, Franklin Park, Illinois 60131, USA."

F102501

DRAWING-COMPUTER LOCATION:
 DRAWING-COMPUTER LOCATION:

TOLERANCES UNLESS SPECIFIED	
inch	
0.XX	---
0.XXX	---
ANGLE	---



DRAWN BY	ENGINEER	CHECKER	CATALOG #	SCALE	DESIGN DATE
RC	DEK	FJS	J1626	---	09-23-09
DRAWING TITLE / DESCRIPTION					DRAWING NUMBER
CLEVIS					GD-J1626

Form: 00_Eblaw / 03-22-05