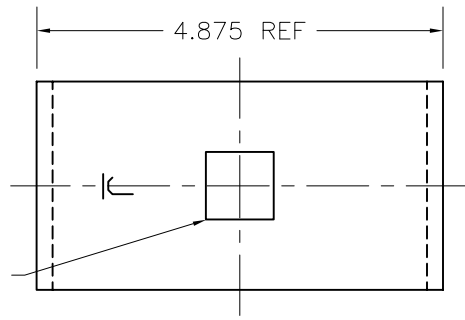


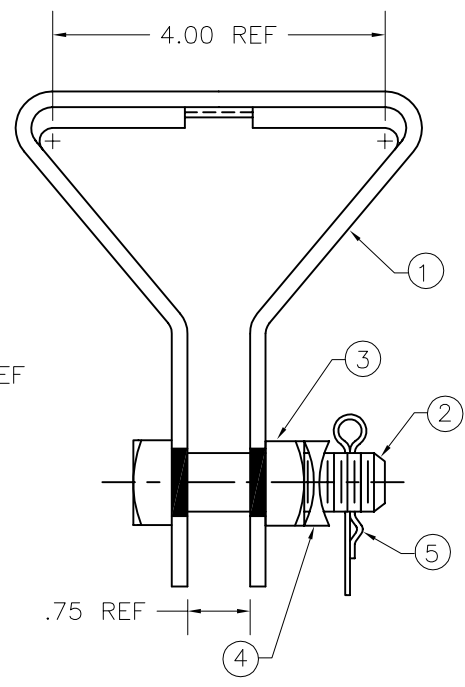
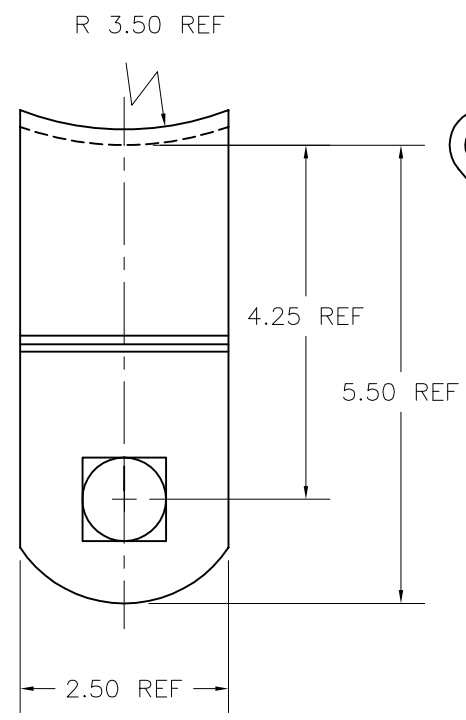
A | B | C | D | E | F

PAPER SIZE	DRAWING NUMBER	
B SIZE	GD-J6157	
REV	REVISION DATE	ECO
A	07-28-09	9596

1  
2  
3  
4



.812 REF SQ THRU HOLE



ITEM	QTY	DESCRIPTION
1	1	.187 X 2.500 CLEVIS BODY
2	1	.750 X 2.7500 MACHINE BOLT
3	1	.750 REGULAR SQUARE NUT
4	1	.750 SQUARE M-F LOCKNUT
5	1	SELF-LOCKING COTTER PIN

- NOTES:**
- 1) ALL DIMENSIONS ARE REFERENCE AND ARE IN INCHES EXCEPT AS NOTED.
  - 2) HOT DIP GALVANIZED CLASS 2C EXCEPT ITEM (5).

CATALOG NUMBER J6157

This drawing contains confidential information that is the property of MacLean Power, L.L.C. ("MacLean"). Use of MacLean's confidential information without MacLean's express written consent is strictly prohibited and may expose you to legal liability. If you believe that you received this material in error, please destroy it or return it to "MacLean Power, L.L.C., 11411 Addison, Franklin Park, Illinois 60131, USA."

F102532  
DRAWING-COMPUTER LOCATION

TOLERANCES UNLESS SPECIFIED	inch
0.XX	— — —
0.XXX	— — —
ANGLE	— — —



DRAWN BY	ENGINEER	CHECKER	CATALOG #	SCALE	DESIGN DATE
RC	DEK	FJS	J6157	---	07-28-09
DRAWING TITLE / DESCRIPTION					DRAWING NUMBER
CLEVIS UNIVERSAL					GD-J6157