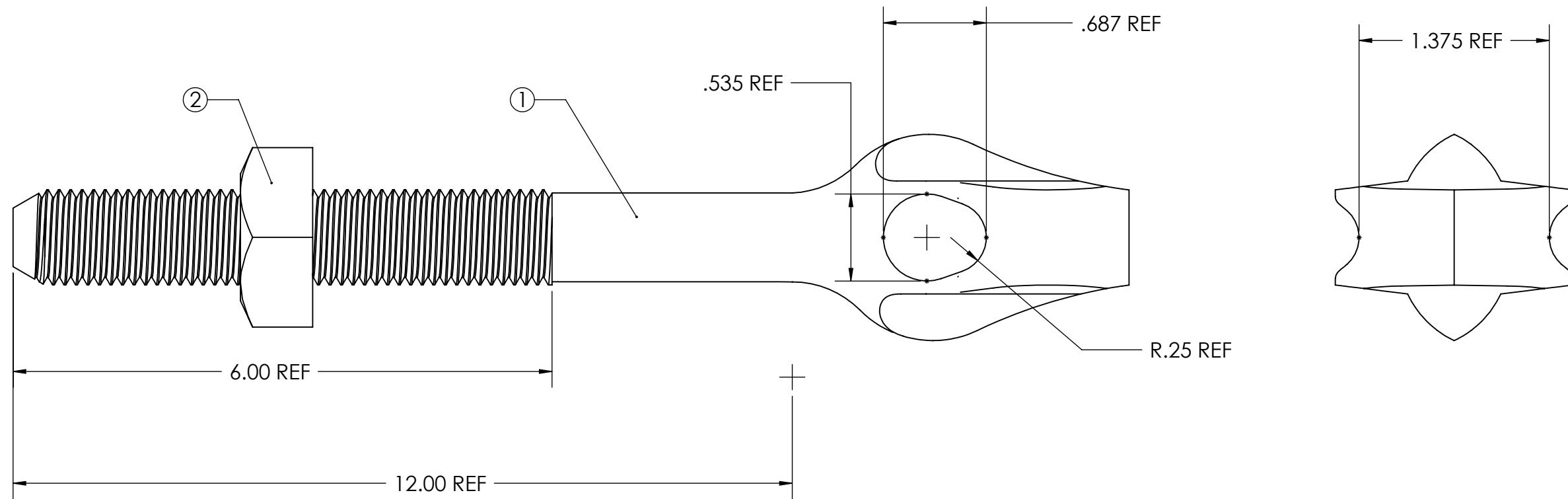


PAPER SIZE		DRAWING NUMBER	
<b>B</b>		<b>GD-J8062</b>	
REV	REVISED BY	REVISION DATE	ECO #
A	RC	07/28/09	9598

**NOTES:**

- 1) ALL DIMENSIONS ARE REFERENCED AND ARE IN INCHES.
- 2) ALL ITEMS HOT DIP GALVANIZED.

ITEM	QTY	DESCRIPTION
1	1	BOLT THIMBLE EYE STR 3/4
2	1	NUT SQUARE 3/4



This drawing contains confidential information that is the property of MacLean Power, L.L.C. ("MacLean"). Use of MacLean's confidential information without MacLean's express written consent is strictly prohibited and may expose you to legal liability. If you believe that you received this material in error, please destroy it or return it to "MacLean Power, L.L.C., 11411 Addison Street, Franklin Park, Illinois 60131, "USA."

F615001

UNLESS OTHERWISE SPECIFIED DIMENSIONS ARE IN:	
<b>INCHES [MM]</b>	
TOLERANCES ARE:	
.XX [.X]	-----
.XXX [.XX]	-----
ANGLES	-----

CATALOG NUMBER J8062



**MACLEAN  
POWER  
SYSTEMS**

11411 ADDISON STREET  
FRANKLIN PARK, IL. 60131

TEL. (847) 455-0014 FAX: (847) 455-0029

DRAWING NUMBER:		<b>GD-J8062</b>		DO NOT SCALE DRAWING	
SHEET NAME:		Sheet1		1 OF 1	
DRAWING DESCRIPTION:		BOLT THIMBLEYE STR 3/4			
DRAWING SCALE:		1:1			
DESIGN DATE:		07/31/09			
DRAWN BY:		RC			
ENGINEER:		DEK			
APPROVED:		FJS			