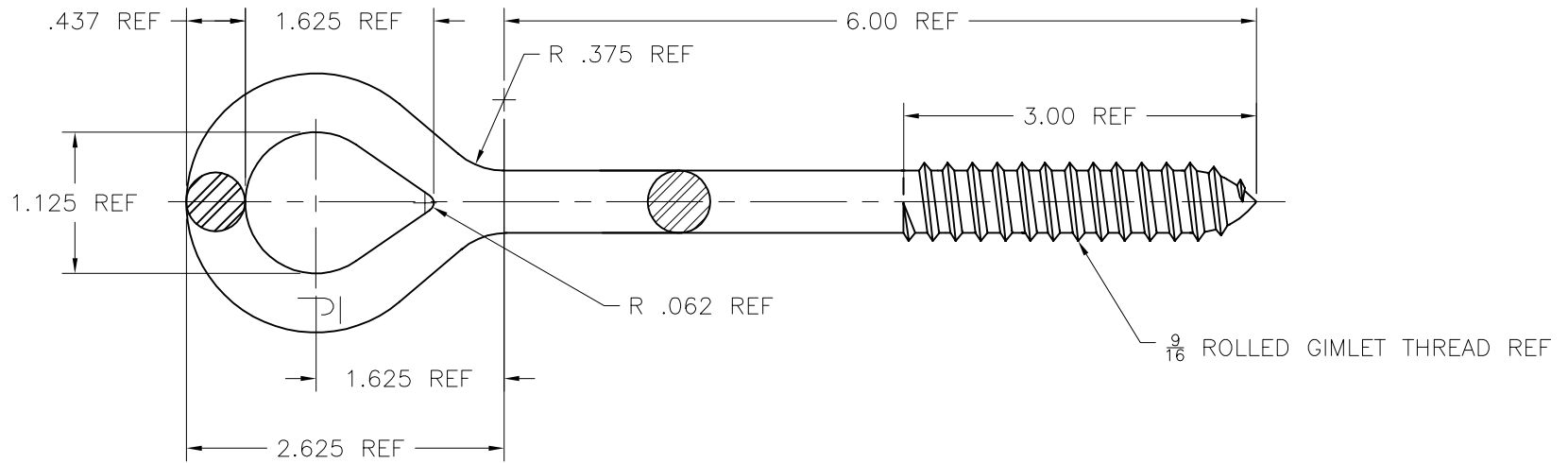


A | B | C | D | E | F

PAPER SIZE	DRAWING NUMBER	
B SIZE	GD-J8930	
REV	REVISION DATE	ECO
A	07-28-09	9596



ITEM	QTY	DESCRIPTION
1	1	SCREW OVAL EYE

NOTES:
 1) ALL DIMENSIONS ARE IN INCHES EXCEPT AS NOTED.
 2) HOT DIP GALVANIZED .

CATALOG NUMBER J8930

This drawing contains confidential information that is the property of MacLean Power, L.L.C. ("MacLean"). Use of MacLean's confidential information without MacLean's express written consent is strictly prohibited and may expose you to legal liability. If you believe that you received this material in error, please destroy it or return it to "MacLean Power, L.L.C., 11411 Addison, Franklin Park, Illinois 60131, USA."

F615132

DRAWING-COMPUTER LOCATION:
 DRAWING-COMPUTER LOCATION:

TOLERANCES UNLESS SPECIFIED	
inch	
0.XX	— — —
0.XXX	— — —
ANGLE	— — —



MACLEAN POWER SYSTEMS
 11411 ADDISON STREET
 FRANKLIN PARK, IL 60131

DRAWN BY	ENGINEER	CHECKER	CATALOG #	SCALE	DESIGN DATE
RC	DEK	FJS	J8930	---	07-28-09
DRAWING TITLE / DESCRIPTION					DRAWING NUMBER
SCREW OVAL EYE					GD-J8930