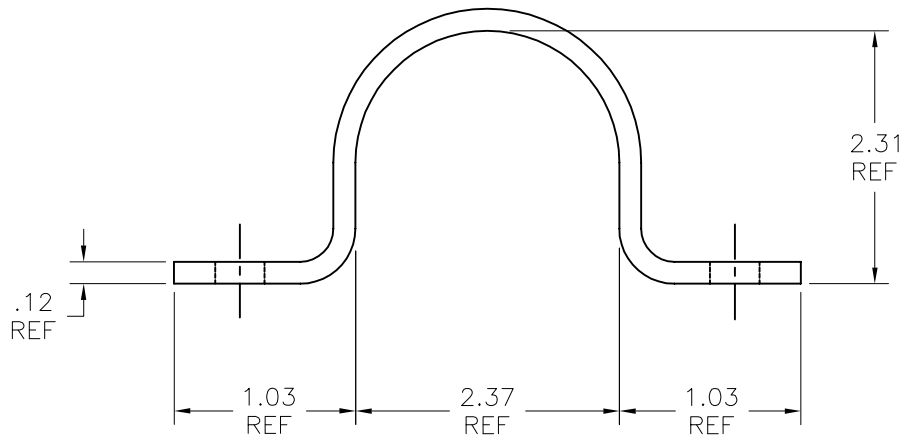
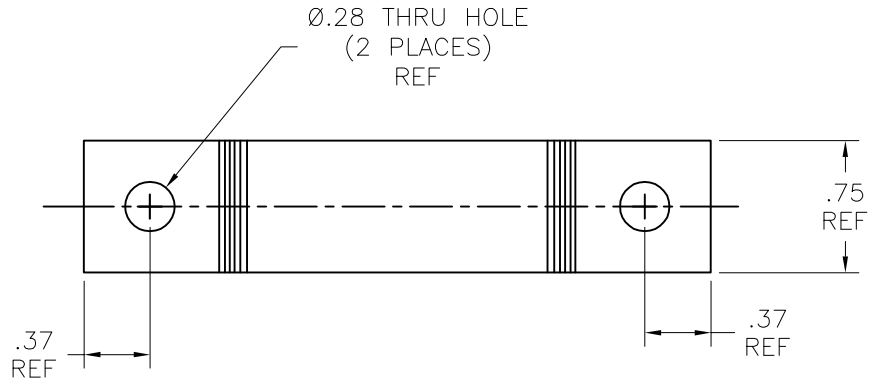


A | B | C | D | E | F

PAPER SIZE	DRAWING NUMBER	
B SIZE	GD-J996	
REV	REVISION DATE	ECO
A	09-23-09	9733



NOTES:
 1) ALL DIMENSIONS ARE REFERENCE AND IN INCHES.
 2) HOT DIP GALVANIZED.

CATALOG NUMBER J996

This drawing contains confidential information that is the property of MacLean Power, L.L.C. ("MacLean"). Use of MacLean's confidential information without MacLean's express written consent is strictly prohibited and may expose you to legal liability. If you believe that you received this material in error, please destroy it or return it to "MacLean Power, L.L.C., 11411 Addison, Franklin Park, Illinois 60131, USA."

F102407

DRAWING-COMPUTER LOCATION

TOLERANCES UNLESS SPECIFIED	
inch	
0.XX	— — —
0.XXX	— — —
ANGLE	— — —



MACLEAN POWER SYSTEMS
 11411 ADDISON STREET
 FRANKLIN PARK, IL 60131

DRAWN BY	ENGINEER	CHECKER	CATALOG #	SCALE	DESIGN DATE
RC	DEK	FJS	J996	---	09-23-09
DRAWING TITLE / DESCRIPTION					DRAWING NUMBER
U-CABLE GUARD STRAPS					GD-J996