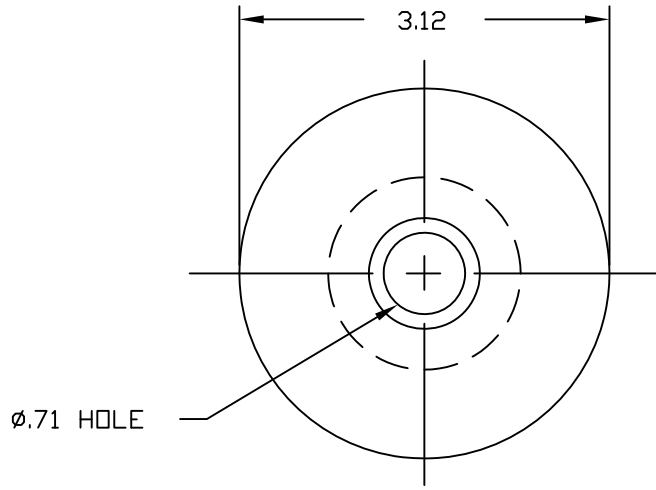
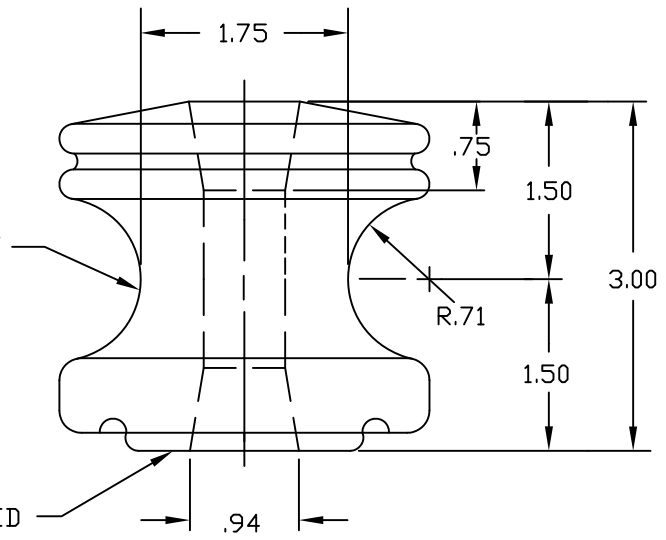


A | B | C | D | E | F

PAPER SIZE		DRAWING NUMBER	
B SIZE		GD-J151	
REV	REVISION DATE	ECO	
A	03-04-09	9420	
B	08-07-12	10683	



Ø.71 HOLE



GROOVE WILL SEAT NOT LESS THAN A Ø1.30 MANDREL

SURFACE TO BE UNGLAZED

NOTES:

- 1) MATERIAL: WET PROCESS PORCELAIN
- 2) ALL DIMENSIONS ARE REFERENCE AND ARE IN INCHES.
- 3) HORIZON GLAZE (LIGHT GRAY) IS STANDARD COLOR.
- 4) SPOOL MEETS THE ELECTRICAL AND MECHANICAL STRENGTH REQUIREMENTS OF ANSI C29.3 CLASS 53-2.

PART NO: F102035

TOLERANCES UNLESS SPECIFIED	inch
0.XX	— — —
0.XXX	— — —
ANGLE	— — —

DRAWING-COMPUTER LOCATION



MACLEAN POWER SYSTEMS
 RELIABLE POWER PRODUCTS
 11411 ADDISON STREET
 FRANKLIN PARK, IL 60131

DRAWN BY	ENGINEER	CHECKER	CATALOG #	SCALE	DESIGN DATE
RRL	RRL	FJS	J151	NTS	8-30-93
DRAWING TITLE / DESCRIPTION					DRAWING NUMBER
INSULATOR SPL HORN GLAZE					GD-J151

This drawing contains confidential information that is the property of MacLean Power, L.L.C. ("MacLean"). Use of MacLean's confidential information without MacLean's express written consent is strictly prohibited and may expose you to legal liability. If you believe that you received this material in error, please destroy it or return it to "MacLean Power, L.L.C., 11411 Addison, Franklin Park, Illinois 60131, USA."