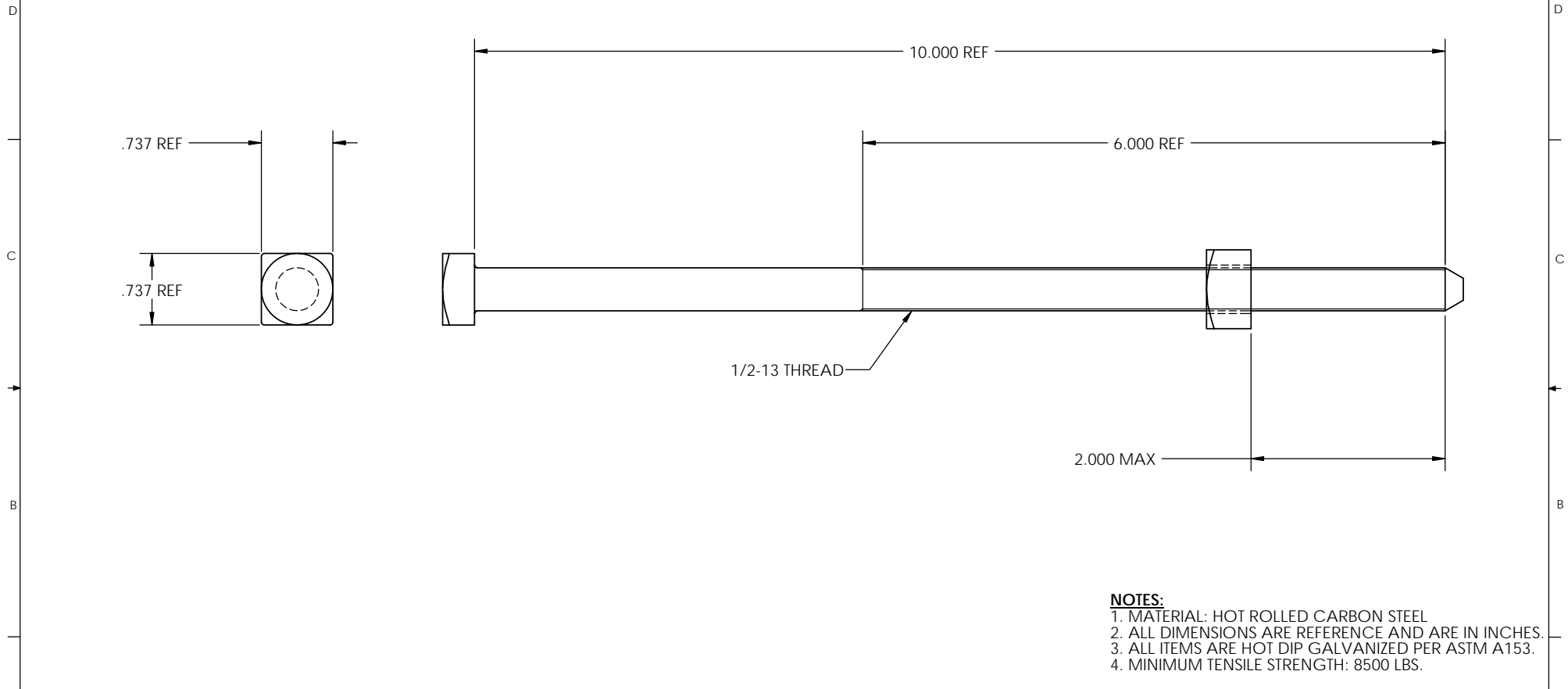


8 7 6 5 4 3 2 1

PAPER SIZE		DRAWING NUMBER	
<b>B</b>		<b>GD-J8710</b>	
REV	REVISED BY	REVISION DATE	ECO #
A	PDR	07-26-12	10675



- NOTES:**
1. MATERIAL: HOT ROLLED CARBON STEEL
  2. ALL DIMENSIONS ARE REFERENCE AND ARE IN INCHES.
  3. ALL ITEMS ARE HOT DIP GALVANIZED PER ASTM A153.
  4. MINIMUM TENSILE STRENGTH: 8500 LBS.

This drawing contains confidential information that is the property of MacLean Power, L.L.C. ("MacLean"). Use of MacLean's confidential information without MacLean's express written consent is strictly prohibited and may expose you to legal liability. If you believe that you received this material in error, please destroy it or return it to "MacLean Power, L.L.C., 11411 Addison Street, Franklin Park, Illinois 60131, USA."

UNLESS OTHERWISE SPECIFIED DIMENSIONS ARE IN:	
<b>INCHES</b>	
TOLERANCES ARE:	
XX	+/- XX
.XXX	+/- .XXX
X/XX	+/- X/XX
ANGLES	+/- .XXX

CATALOG NO. J8710

**MACLEAN POWER SYSTEMS**  
11411 ADDISON STREET  
FRANKLIN PARK, IL 60131  
TEL: (847) 455-0014 FAX: (847) 455-0029

PART NO. F614525		DO NOT SCALE DRAWING	
DRAWING NUMBER: <b>GD-J8710</b>		CAD GENERATED DRAWING DO NOT MANUALLY UPDATE	
SHEET NAME: <b>Sheet1</b>	1 OF 1	DESIGN DATE: <b>07/26/12</b>	
DRAWING DESCRIPTION: <b>BOLT MACH 1/2 X 10</b>		DRAWN BY: <b>PDR</b>	ENGINEER: <b>RRL</b>
DRAWING SCALE: <b>1:1</b>		APPROVED: <b>JBB</b>	

8 7 6 5 4 3 2 1