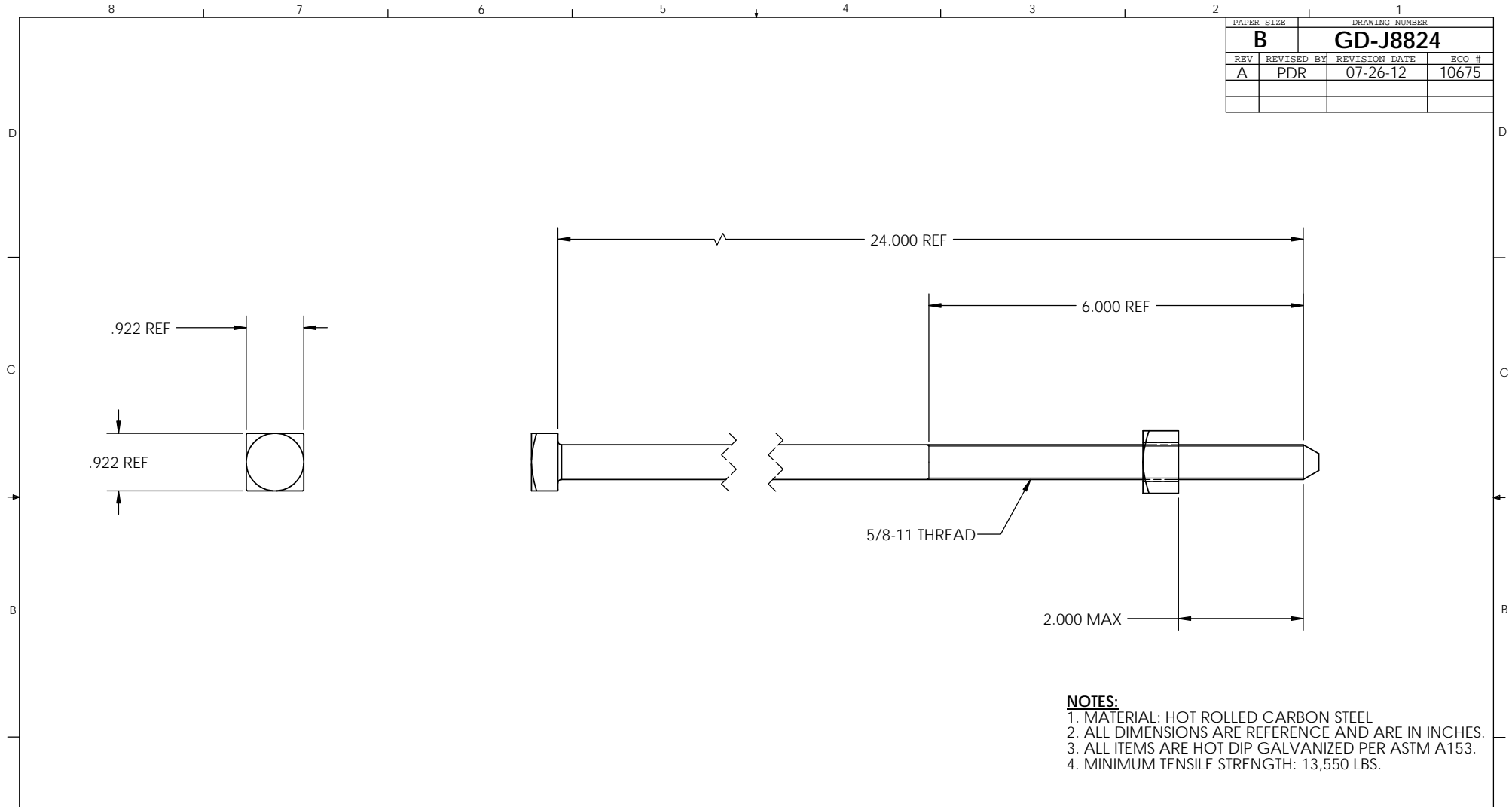


PAPER SIZE		DRAWING NUMBER	
B		GD-J8824	
REV	REVISED BY	REVISION DATE	ECO #
A	PDR	07-26-12	10675



- NOTES:**
1. MATERIAL: HOT ROLLED CARBON STEEL
 2. ALL DIMENSIONS ARE REFERENCE AND ARE IN INCHES.
 3. ALL ITEMS ARE HOT DIP GALVANIZED PER ASTM A153.
 4. MINIMUM TENSILE STRENGTH: 13,550 LBS.

This drawing contains confidential information that is the property of MacLean Power, L.L.C. ("MacLean"). Use of MacLean's confidential information without MacLean's express written consent is strictly prohibited and may expose you to legal liability. If you believe that you received this material in error, please destroy it or return it to MacLean Power, L.L.C., 11411 Addison Street, Franklin Park, Illinois 60131, "USA."

UNLESS OTHERWISE SPECIFIED DIMENSIONS ARE IN:	
INCHES	
TOLERANCES ARE:	
XX	± XX
.XXX	± .XXX
X/XX	±X/XX
ANGLES	±X°

CATALOG NO. J8824



**MACLEAN
POWER
SYSTEMS**
11411 ADDISON STREET
FRANKLIN PARK, IL 60131
TEL: (847) 455-0014 FAX: (847) 455-0029

PART NO. F614537		DO NOT SCALE DRAWING	
DRAWING NUMBER: GD-J8824		CAD GENERATED DRAWING DO NOT MANUALLY UPDATE	
SHEET NAME: Sheet1	1 OF 1	DESIGN DATE: 07/26/12	
DRAWING DESCRIPTION: BOLT MACH 5/8 X 24		DRAWN BY:	PDR
		ENGINEER:	RRL
		APPROVED:	JBB
DRAWING SCALE: 2:3			